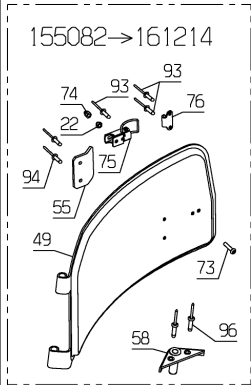
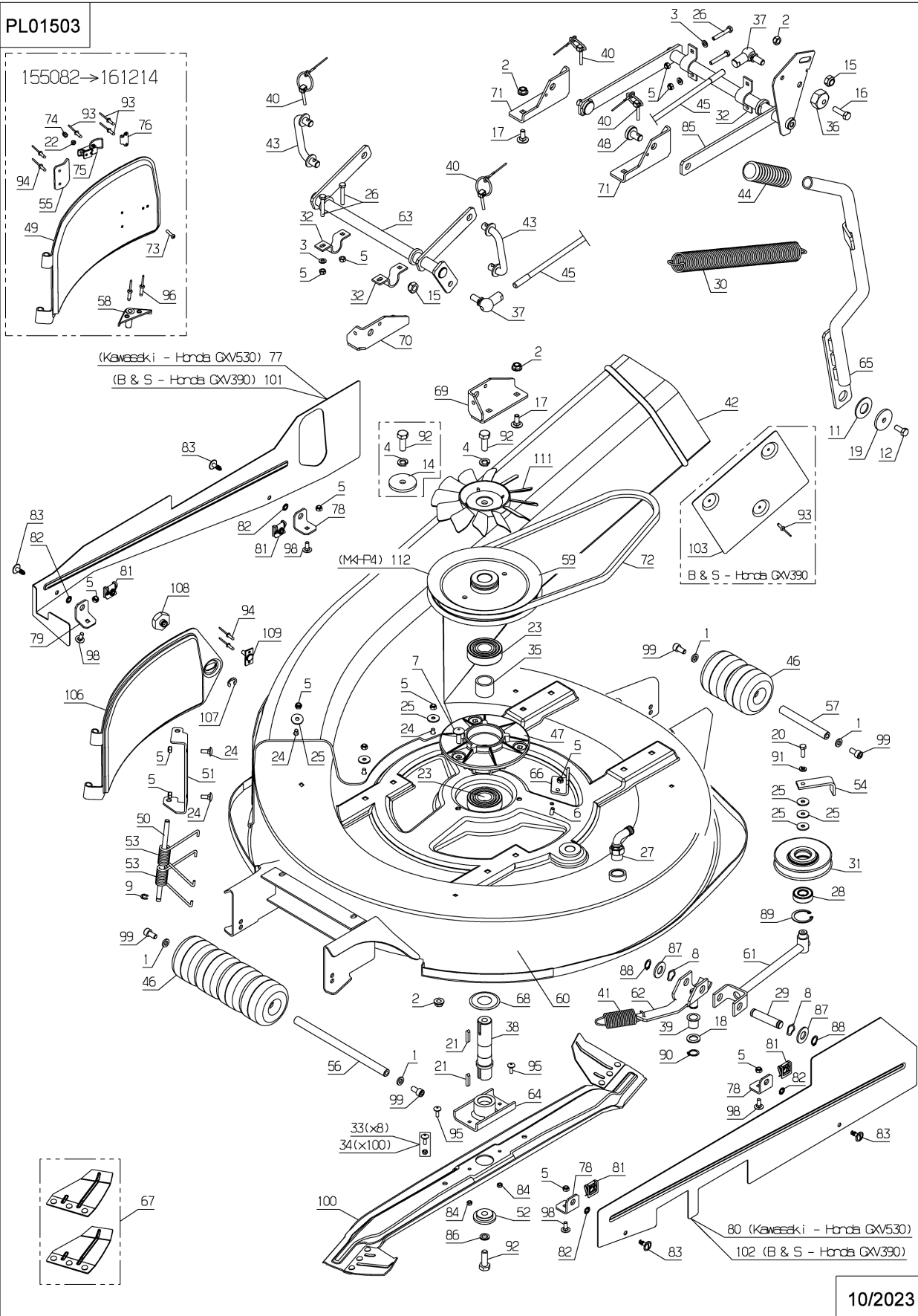


PL01503



(Kawasaki - Honda GXV530) 77
(B & S - Honda GXV390) 101



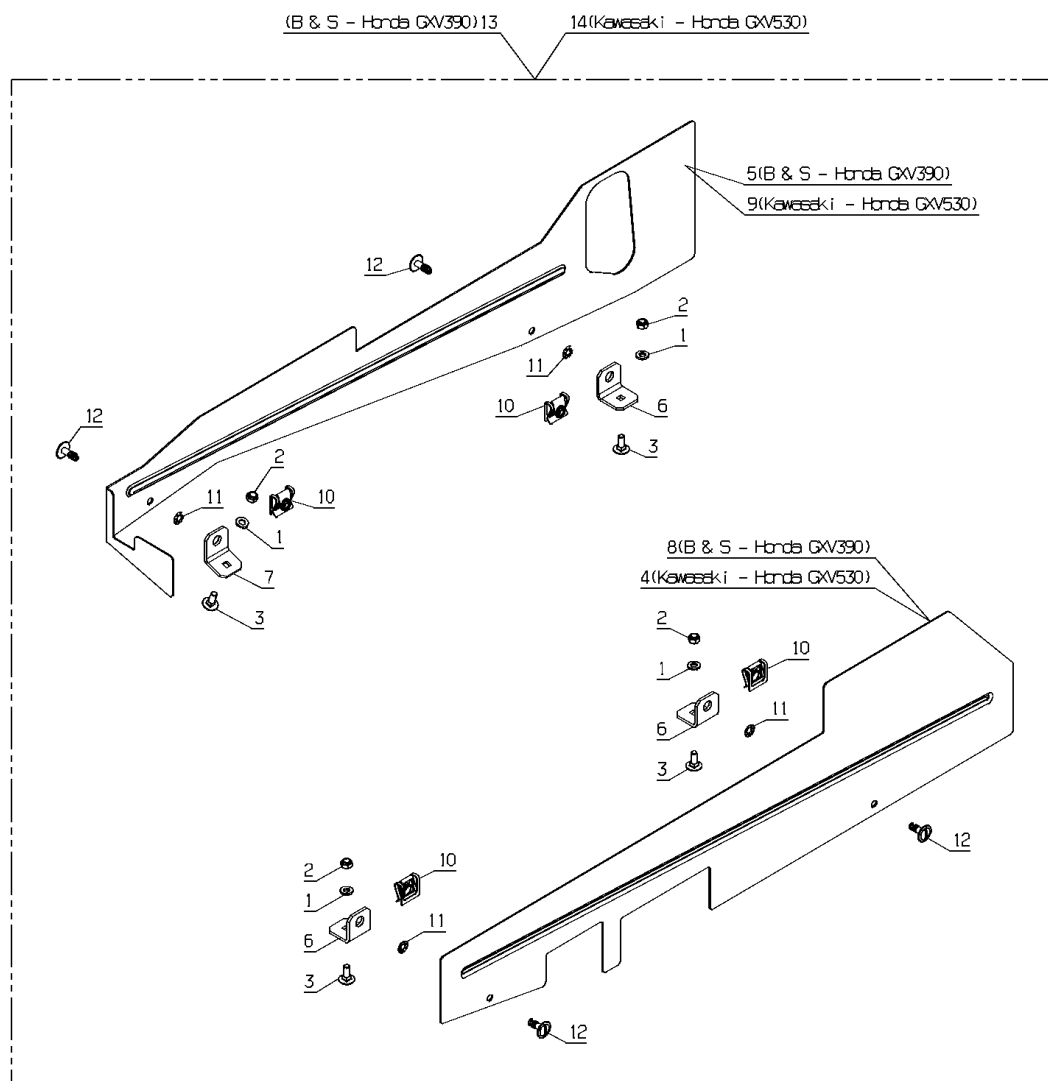
10/2023

Number	Part Number	Name	Quantity
1	71343	SPRING WASHER A8	1,000
2	71205	SCREW M8	1,000
3	2235	WASHER A6.4	1,000
4	71052	SPRING WASHER,DIN 1	1,000
5	71201	NUT M6	1,000
6	37997	SCREW HM6-16 8.8	1,000
7	5347	SCREW 8X25	1,000
8	5411	WASHER	1,000
9	5602	ANNEAU TRUARC	1,000
11	7330	WASHER	1,000
12	71413	SCREW HM 8-20	1,000
14	7341	FLAT WASHER 10,3X49	1,000
15	9017	NUT HM10	1,000
16	9061	BOLT 8X30	1,000
17	9071	SCREW M8X20	1,000
18	9166	WASHER 15X24X2	1,000
19	20021	WASHER 8,5X40X4	1,000
20	20507	BOLT HM 6X20	1,000
21	20602	KEY 5X5X25	1,000
22	21525	NUT HM4	1,000
23	21553	BEARING 6305-2RS	1,000
24	21608	SCREW 6X16 DIN	1,000
25	22029	FLAT WASHER 6,5	1,000
26	22456	SCREW HM 6X40	1,000
27	53091	CORNER WATER PLUG	1,000
28	25112	BALL BEARING,6202 S	1,000
29	25126	BELT TIGHTENER ARM	1,000
30	25425	COMPENSATION SPRING	1,000
31	25509	TENSIONING PULLEY	1,000
32	25711	STRAP	1,000
33	26157	SET OF 8 SHEARBOLTS	1,000
34	26357	100 SHEAR BOLTS	1,000
35	28020	BLADE BEARING SPACR	1,000
36	28040	CUTTING HEIGHT STOP	1,000
37	28047	STEER. KNUCKLE M10	1,000
38	28062	BLADE SHAFT	1,000
39	28070	SLEEVE 15/17/20	1,000
40	28075	SAFETY PIN & CHAIN	1,000
41	28076	TENSION SPRING	1,000
42	39469	EJECTION CHANNEL	1,000
43	28113	INTERMEDIATE ROD	1,000

Number	Part Number	Name	Quantity
44	28118	CUT.HEIGHT LEVER HA	1,000
45	28119	ROD	1,000
46	28123	ROLLER	1,000
47	28171	BLADE BEARING	1,000
48	28208	SHAFT	1,000
49	28230	OBSERVATION FLAP	1,000
50	28231	FLAP SHAFT	1,000
51	28233	OBSERVAT.FLAP SUPP.	1,000
52	28238	BLADE WASHER	1,000
53	28245	FLAP SPRING	1,000
54	28284	BELT GUIDE	1,000
55	28288	FLAP HANDLE	1,000
56	28315	FR.ROLLER SHAFT 96	1,000
57	28316	REAR ROLLER SHAFT96	1,000
58	28386	DEFLECTOR GUIDE	1,000
59	28391	PULLEY D.190/D.206	1,000
60	28405	CUTTING DECK NAKED	1,000
61	50870	TENSIONNER ARM	1,000
62	28411	BELT TIGH.YOKE	1,000
63	28419	CUTT.HEIGHT FR.ARM	1,000
64	28420	BLADE COUPLING	1,000
65	28429	CUTT. HEIGHT LEVER	1,000
66	28448	STOP	1,000
67	28489	BLADE WING KIT	1,000
68	28530	PROTECTION WASHER	1,000
69	28720	FRONT LEFT BRACKET	1,000
70	28721	FRONT RIGHT BRACKET	1,000
71	28722	REAR BRACKET	1,000
72	28729	BELT 1207 MM	1,000
73	37072	SCREW HC M4-20 10.9	1,000
74	37073	NUT	1,000
75	37074	CLAMP	1,000
76	37085	CLAMP HOOK	1,000
77	37487	RIGHT PROTECTION	1,000
78	37310	LEFT PROTECT.FIXING	1,000
79	37311	PROTECTION FIXING	1,000
80	37307	LEFT PROTECTION KAW	1,000
81	37499	1/4 ROTATION LOCK	1,000
82	37500	1/4 ROTATION WASHER	1,000
83	37501	1/4 ROTATION SCREW	1,000
84	37561	NUT	1,000

Number	Part Number	Name	Quantity
85	37618	REAR ARM	1,000
86	37665	WASHER	1,000
87	71034	FLAT WASHER NFE 276	1,000
88	71036	DIN 471 14X1 EXT. C	1,000
89	71039	CIRCLIP,DIN 427 35X	1,000
90	71047	CIRCLIP DIN 471 15X	1,000
91	71049	SPRING WASHER,DIN 1	1,000
92	71110	HEXAGON SCREW,DIN 9	1,000
93	71113	NAIL RIVET, DIA. 4X	1,000
94	71114	ALUMINUM NAIL RIVET	1,000
95	71231	SCREW JM5-16	1,000
96	71327	NAIL RIVET 4X21	1,000
98	71361	SCREW RL X M6X16	1,000
99	71372	IN.HEX.SCREW M8X16	1,000
100	MZ80	BLADE FOR 80 CM	1,000
101	37308	RIGHT PROTECTION	1,000
102	37486	LEFT PROTECTION	1,000
103	28504	PROTECTION GUARD	1,000
106	50619	OBSERVATION FLAP	1,000
107	1559	RING TRUARC 10	1,000
108	50634	CLOSE BUTTOM	1,000
109	50672	OBSERVAT.FLAP FIX.	1,000
111	51548	COOLING FAN	1,000

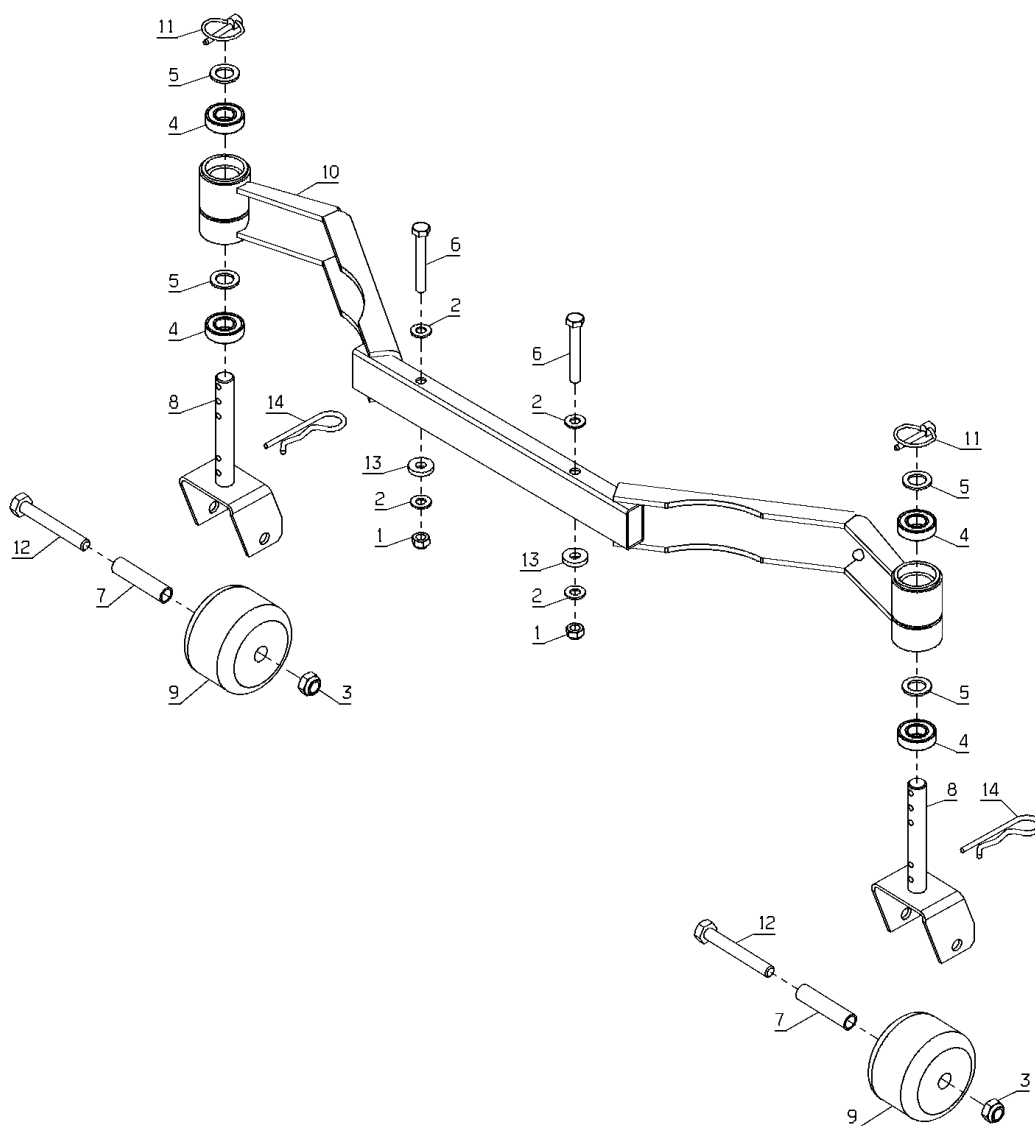
PL01551



07/2010

Number	Part Number	Name	Quantity
1	2235	WASHER A6.4	1,000
2	71201	NUT M6	1,000
3	21608	SCREW 6X16 DIN	1,000
4	37307	LEFT PROTECTION KAW	1,000
5	37308	RIGHT PROTECTION	1,000
6	37310	LEFT PROTECT.FIXING	1,000
7	37311	PROTECTION FIXING	1,000
8	37486	LEFT PROTECTION	1,000
9	37487	RIGHT PROTECTION	1,000
10	37499	1/4 ROTATION LOCK	1,000
11	37500	1/4 ROTATION WASHER	1,000
12	37501	1/4 ROTATION SCREW	1,000
13	37550	MOB.ELEM.NORM.KIT	1,000
14	37551	MOB.ELEM.NORM.KIT.K	1,000

PL01542

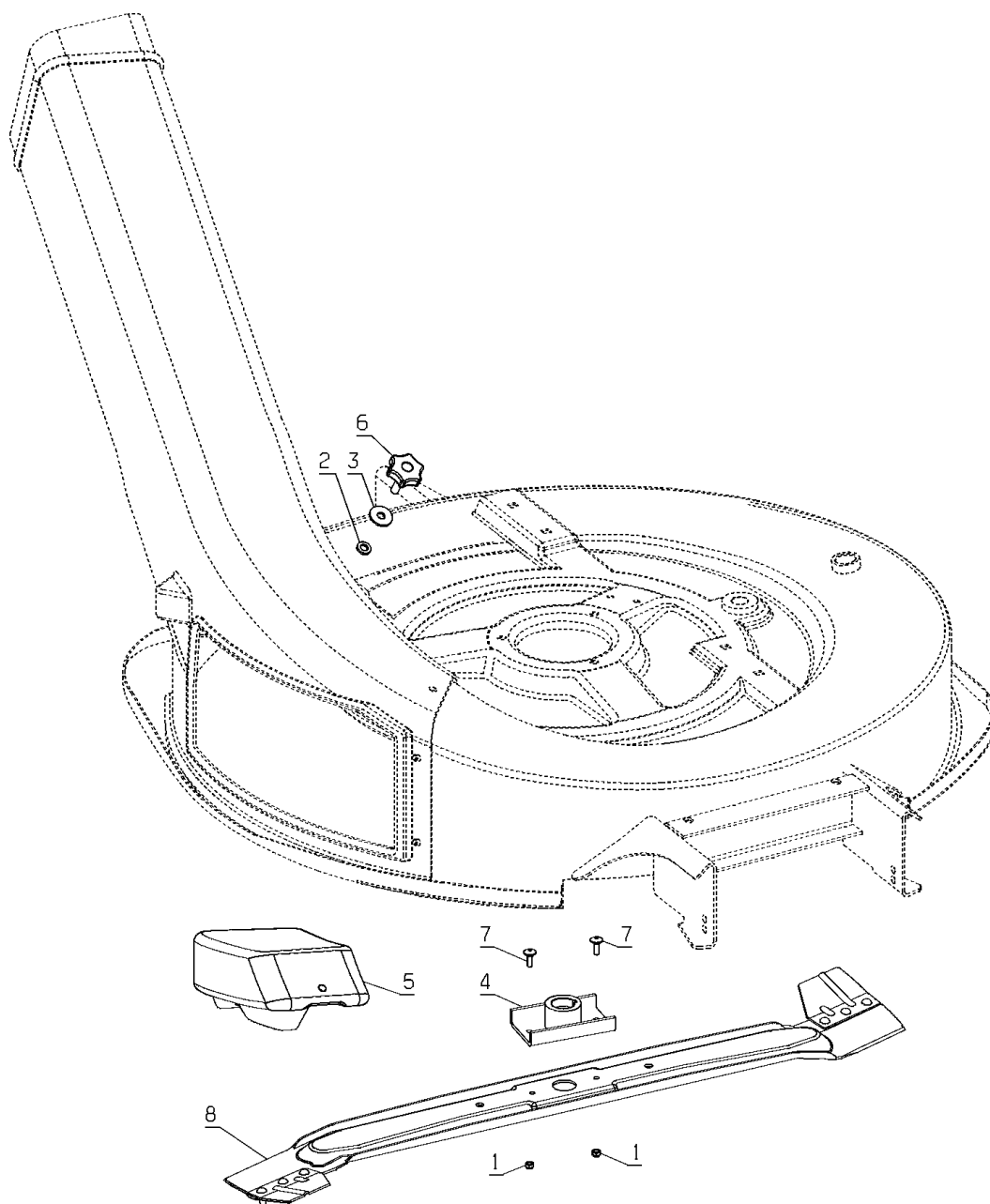


02/2010

Number	Part Number	Name	Quantity
1	71205	SCREW M8	1,000
2	7335	WASHER	1,000
3	9017	NUT HM10	1,000
4	9022	BALL BEARING 6002	1,000
5	9166	WASHER 15X24X2	1,000
6	20513	SCREW,DIN 933 H M 8	1,000
7	28333	ROLLER SPACER	1,000
8	28437	ROLLER HOLDER	1,000
9	28742	ROLLER	1,000
10	28747	ANTI-SCALP BRACKET	1,000
11	71005	SAFETY PIN,DIN 1102	1,000
12	71032	KAWA SCREW H M10X75	1,000
13	71126	FLAT WASHER,DIN 734	1,000
14	71228	BETA PIN 4	1,000

MU80N

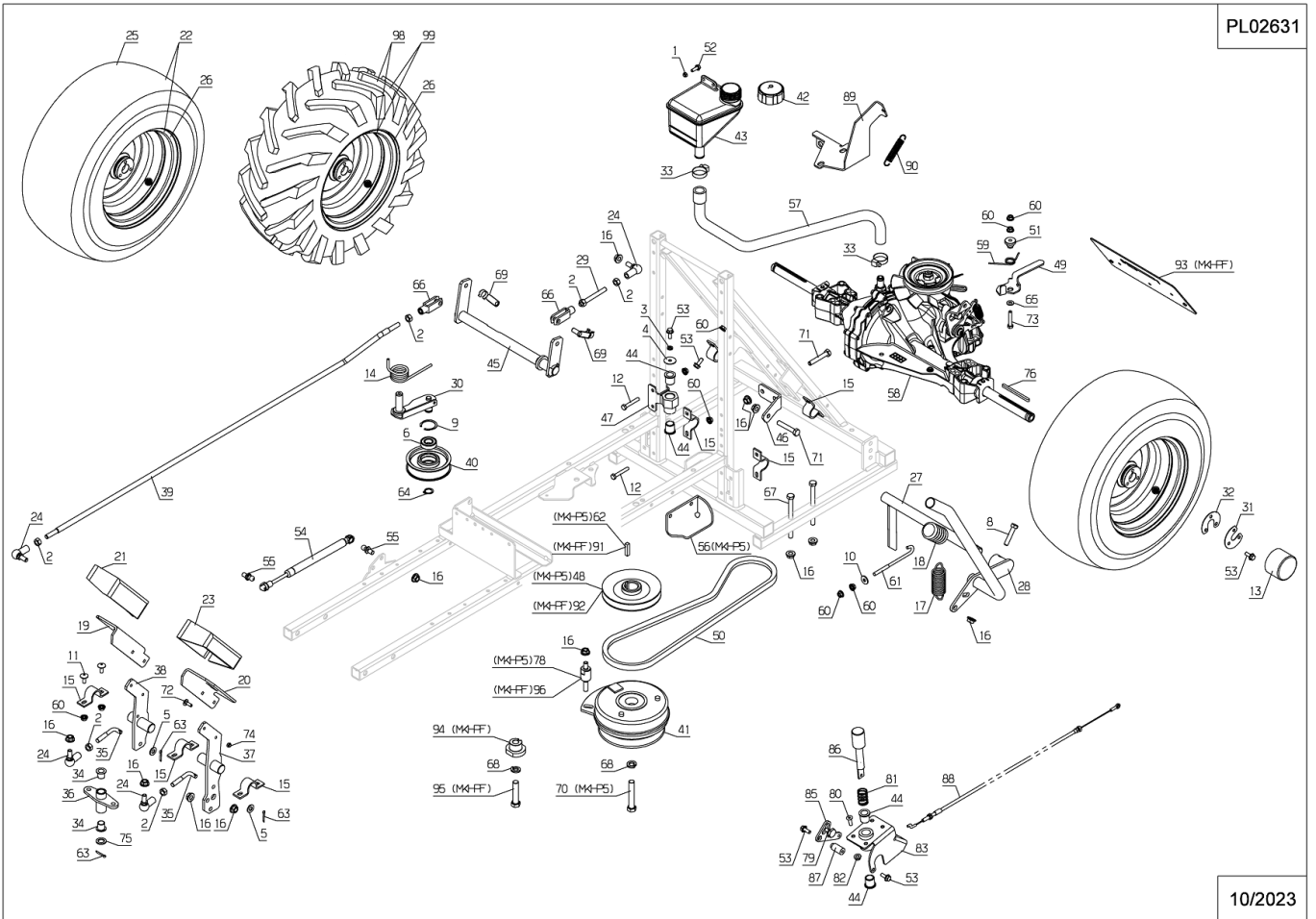
PL01316



02/2011

Number	Part Number	Name	Quantity
1	37561	NUT	1,000
2	71343	SPRING WASHER A8	1,000
3	7035	FLAT WASHER	1,000
4	28420	BLADE COUPLING	1,000
5	35936	MULCHING PLUG	1,000
6	36152	BUTTOM	1,000
7	71231	SCREW JM5-16	1,000
8	MZ80M	BLADES FOR MULCHING	1,000

PL02631



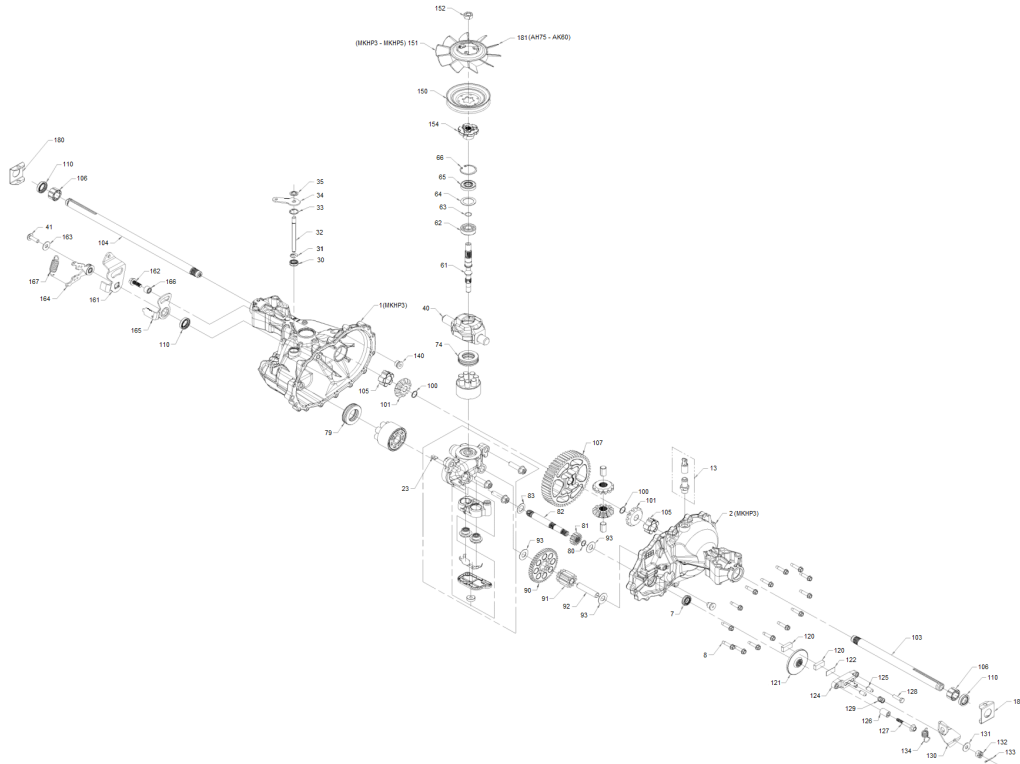
10/2023

Number	Part Number	Name	Quantity
1	37561	NUT	1,000
2	2020	NUT HM8	1,000
3	71049	SPRING WASHER,DIN 1	1,000
4	5604	WASHER	1,000
5	7335	WASHER	1,000
6	9022	BALL BEARING 6002	1,000
7	-	-	1,000
8	21114	BOLT 8X40	1,000
9	21256	CIRCLIP	1,000
10	21270	WASHER 6,4	1,000
11	21608	SCREW 6X16 DIN	1,000
12	22456	SCREW HM 6X40	1,000
13	25176	WHEEL CAP	1,000
14	25511	UPPER BELT TIGHTENE	1,000
15	25711	STRAP	1,000
16	71205	SCREW M8	1,000
17	28076	TENSION SPRING	1,000
18	28100	BRAKE LEVER HANDLE	1,000
19	28131	FORWARD PEDAL	1,000
20	28139	REVERSE PEDAL	1,000
21	28167	COVERING FORW.PEDAL	1,000
22	28186	REAR WHEEL GR. S/N	1,000
23	28188	COVERING REV. PEDAL	1,000
24	28234	KNUCKLE M8	1,000
25	28351	TYRE SO/NAT	1,000
26	28355	REAR RIM GR. S	1,000
27	28509	PARKING BRAKE TUBE	1,000
28	28512	PARKING BRAKE LEVER	1,000
29	28516	VORWARD DRIVE ROD	1,000
30	51189	BELT TIGHTENER	1,000
31	52175	SECURING RING	1,000
32	52174	SECURING RING	1,000
33	28534	COLLAR 16-27	1,000
34	28555	SLEEVE 12/14/15	1,000
35	28556	PEDAL ROD	1,000
36	28563	PLATE	1,000
37	28564	REV.PEDAL ROD ASSY	1,000
38	28566	FOR.PEDAL ROD ASSY	1,000
39	28605	ROD	1,000
40	35141	TENSIONNER PULLEY	1,000
41	35576	BLADE CLUTCH TG105	1,000

Number	Part Number	Name	Quantity
42	36382	PLUG 175	1,000
43	36569	COMPENSATION TANK	1,000
44	37059	BUSH JFM 141822-20	1,000
45	53334	SHAFT	1,000
46	37362	SUPPORT	1,000
47	37363	TENSIONNER COMPLETE	1,000
48	37369	PULLEY A DP110	1,000
49	52865	BY PASS LEVER	1,000
50	37437	BELT A LP 1050	1,000
51	37505	BY PASS AXLE	1,000
52	37996	SCREW HM5-16 8.8	1,000
53	37997	SCREW HM6-16 8.8	1,000
54	39680	SHOCK ABSORBER	1,000
55	39681	KNOB	1,000
56	39777	CUTTING HEIGHT STOP	1,000
57	39923	HOSE	1,000
58	53248	TRANSMISSION HG T3	1,000
59	41060	CLUTCH SPRING	1,000
60	71201	NUT M6	1,000
61	50987	BRAKE HOOK T3	1,000
62	71007	B-SHAPE KEY 6.35X6.	1,000
63	71018	V3,2 SPLIT PIN	1,000
64	71047	CIRCLIP DIN 471 15X	1,000
65	71075	WASHER	1,000
66	71077	YOKE DIN 71751 8X32	1,000
67	71199	SCREW HM8X90	1,000
68	71159	WASHER 7/16"	1,000
69	71169	STUD 8X32	1,000
70	71208	SCREW H7/16"20	1,000
71	71223	SCREW M8X50	1,000
72	71231	SCREW JM5-16	1,000
73	71259	SCREW HM6X35	1,000
74	71308	LOCK NUT M5	1,000
75	71336	WASHER 13X20X2	1,000
76	71418	KEY 4,76X4,76X75	1,000
78	52620	AXLE	1,000
79	28137	CATCH BOLT SP.SCREW	1,000
80	71381	SCREW FHC/90 M6-20	1,000
81	43065	SPRING	1,000
83	53295	PLATE	1,000
85	53304	BALANCE WHEEL	1,000

Number	Part Number	Name	Quantity
86	53305	AXLE	1,000
87	53306	AXLE	1,000
88	53310	CABLE	1,000
89	53309	BRACKET	1,000
90	31368	SPRING	1,000
91	35861	KEY 6.35X6.35X20	1,000
94	50084	STOP	1,000
95	50086	SCREW	1,000
96	5494	SCREW J M6-25	1,000
98	55355	REAR WHEEL RIGHT	1,000
99	55354	REAR WHEEL LEFT	1,000

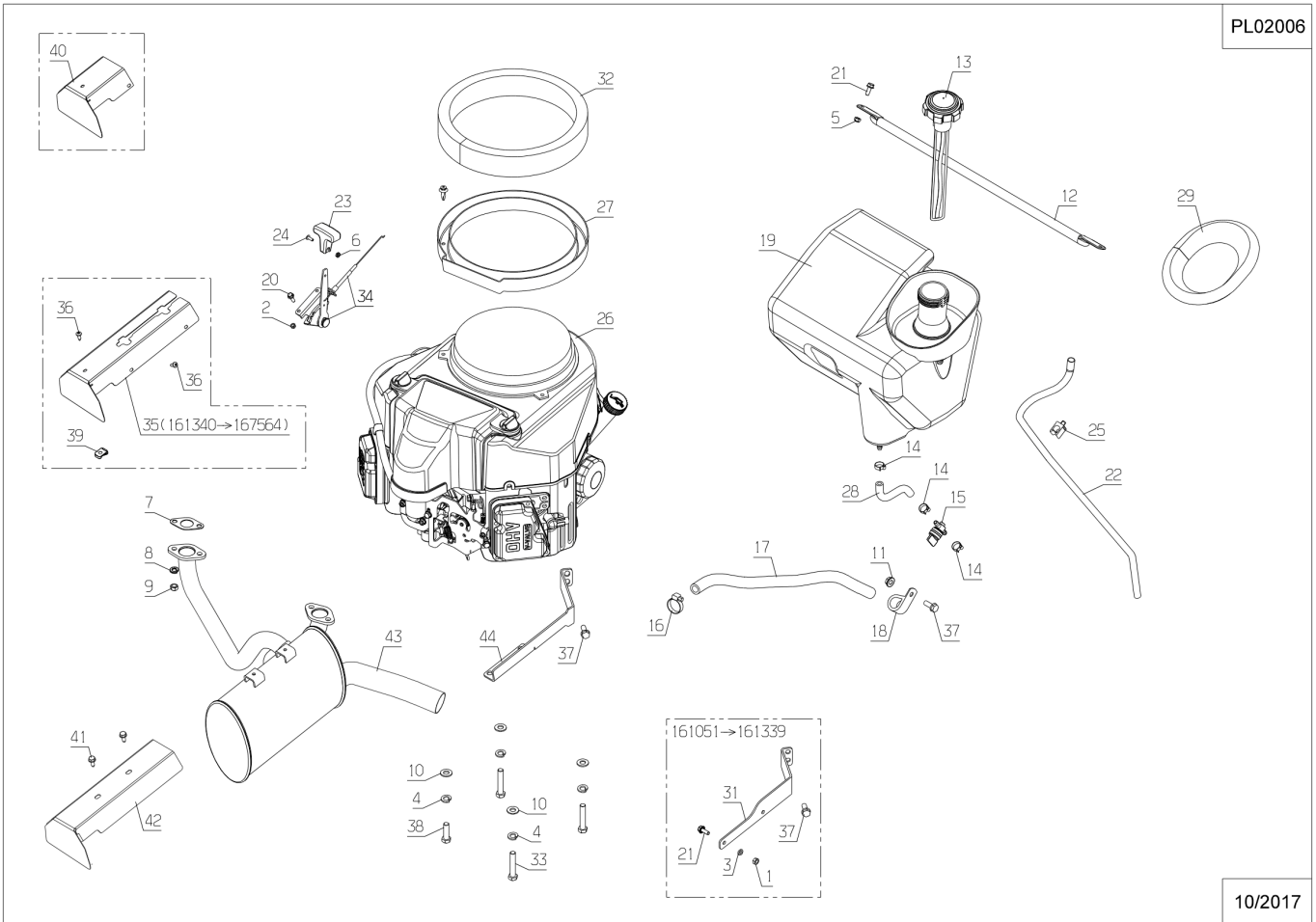
PL02154



01/2025

Number	Part Number	Name	Quantity
1	28909	MAIN CASING	1,000
2	28910	SIDE CASING T3	1,000
7	28901	GASKET	1,000
8	28802	SCREW 1/4-20X1,25	1,000
13	28913	ADAPTER	1,000
23	28898	BY PASS PLATE	1,000
30	28878	GASKET	1,000
31	28880	TRUARC RING	1,000
32	28887	BY PASS SHAFT T3	1,000
33	28879	CIRCLIP T3	1,000
34	28888	BY PASS LEVER T3	1,000
35	28881	SELF LOCK RING T3	1,000
40	28886	OSCILLATING PLATE	1,000
41	28864	SCREW TORX 5/16-18	1,000
61	28889	INPUT SHAFT T3	1,000
62	40465	BEARING 6202	1,000
63	28914	WASHER T3	1,000
64	28915	WASHER	1,000
65	27452	OIL SEAL UE 15.35.7	1,000
66	28916	CIRCLIP	1,000
74	28890	STOP	1,000
79	28808	OSCILL.PLATE STOP	1,000
80	28876	CIRCLIP 1/2"	1,000
81	28897	GEAR 14 TEETH	1,000
82	28891	AXLE T3	1,000
83	28892	WASHER T3	1,000
90	28896	GEAR 11/47 TEETH	1,000
91	28912	GEAR 11 TEETH	1,000
92	28824	PIN	1,000
93	28849	WASHER	1,000
100	28823	RING	1,000
101	28820	PINION 12 TH.	1,000
103	28903	OUTPUT SHAFT SHORT	1,000
104	28902	OUTPUT SHAFT LONG	1,000
105	28883	SPACER T3	1,000
106	28882	BUSH	1,000
107	28911	GEAR 53 TEETH	1,000
110	28907	GASKET	1,000
120	28780	BRAKE SHOE	1,000
121	28893	BRAKE DISK T3	1,000
122	28840	ADJUSTEMENT PLATE	1,000

Number	Part Number	Name	Quantity
124	-	-	1,000
125	28841	PIN	1,000
126	28843	SPACER	1,000
127	28842	SCREW 1/4-20X2	1,000
129	28848	SPRING	1,000
130	28884	BRAKE LEVER	1,000
131	28850	WASHER	1,000
132	28846	NUT	1,000
133	28847	PIN	1,000
134	28877	SPRING	1,000
140	28782	PLUG	1,000
150	28904	PULLEY T3	1,000
151	28906	FLYWHEEL T3	1,000
152	28875	NUT T3	1,000
154	28905	SPACER	1,000
161	28894	DEAD POINT LEVER	1,000
162	28805	SCREW 5/16-24X0,94	1,000
164	28899	LEVER	1,000
165	28900	ARM	1,000
166	28895	BUSH T3	1,000
167	28885	SPRING	1,000
180	28908	PLATE	1,000
181	44453	FLYWHEEL T3 HG	1,000

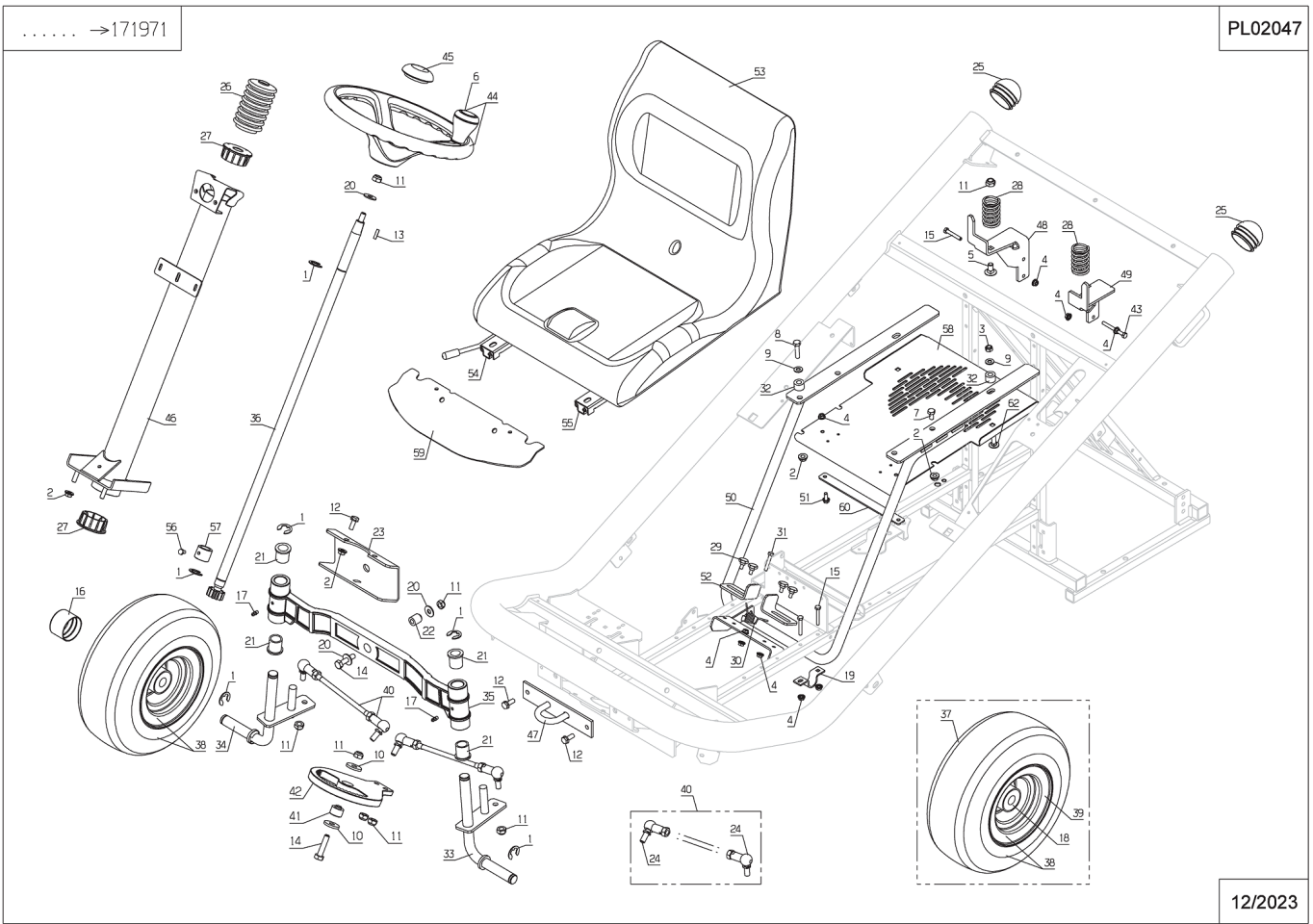


Number	Part Number	Name	Quantity
1	1557	NUT HM6	1,000
2	37561	NUT	1,000
3	71049	SPRING WASHER,DIN 1	1,000
4	71052	SPRING WASHER,DIN 1	1,000
5	71201	NUT M6	1,000
6	5488	NUT HM 4.8	1,000
7	15261	MUFFLER GASKET	1,000
8	15848	SPRING WASHER	1,000
9	15849	HEX NUT	1,000
10	21036	FLAT WASHER 10.5	1,000
11	71205	SCREW M8	1,000
12	28052	CROSSPIECE	1,000
13	28055	PETROL GAUGE	1,000
14	28323	HOSE HAND CLIP	1,000
15	28324	FUEL STOP VALVE	1,000
16	28534	COLLAR 16-27	1,000
17	28703	HOSE HG 710	1,000
18	30165	CLAMP DIA.20	1,000
19	37809	FUEL TANK	1,000
20	37996	SCREW HM5-16 8.8	1,000
21	37997	SCREW HM6-16 8.8	1,000
22	38000	HOSE	1,000
23	38127	THROTTLE LEVER	1,000
24	38130	SCREW M4X12,4.6	1,000
25	38273	CLIP DIAM 12	1,000
26	38403	ENGINE KAWA FS481V	1,000
27	38447	BRACKET	1,000
28	39194	FUEL HOSE	1,000
29	39273	TANK FOAM	1,000
30	39435	-> 51591 + 51593	1,000
31	39510	MUFFLER BRACKET	1,000
32	39730	BELLOW FOAM	1,000
33	39921	SCREW	1,000
34	50021	THROTTLE KIT	1,000
35	50854	HOT PROTECTION	1,000
36	71111	TAPPING SCREW,DIN 7	1,000
37	71413	SCREW HM 8-20	1,000
38	71454	SCRW.HUNC 3/8"1"1/4	1,000
39	71459	NUT	1,000
40	39764	PLATE	1,000
41	38408	SCREW HM6-16 8,8	1,000

Number	Part Number	Name	Quantity
42	52688	HOT PROTECT. PLATE	1,000
43	52687	MUFFLER	1,000
44	52689	MUFFLER FAST. LUG.	1,000

..... →171971

PL02047



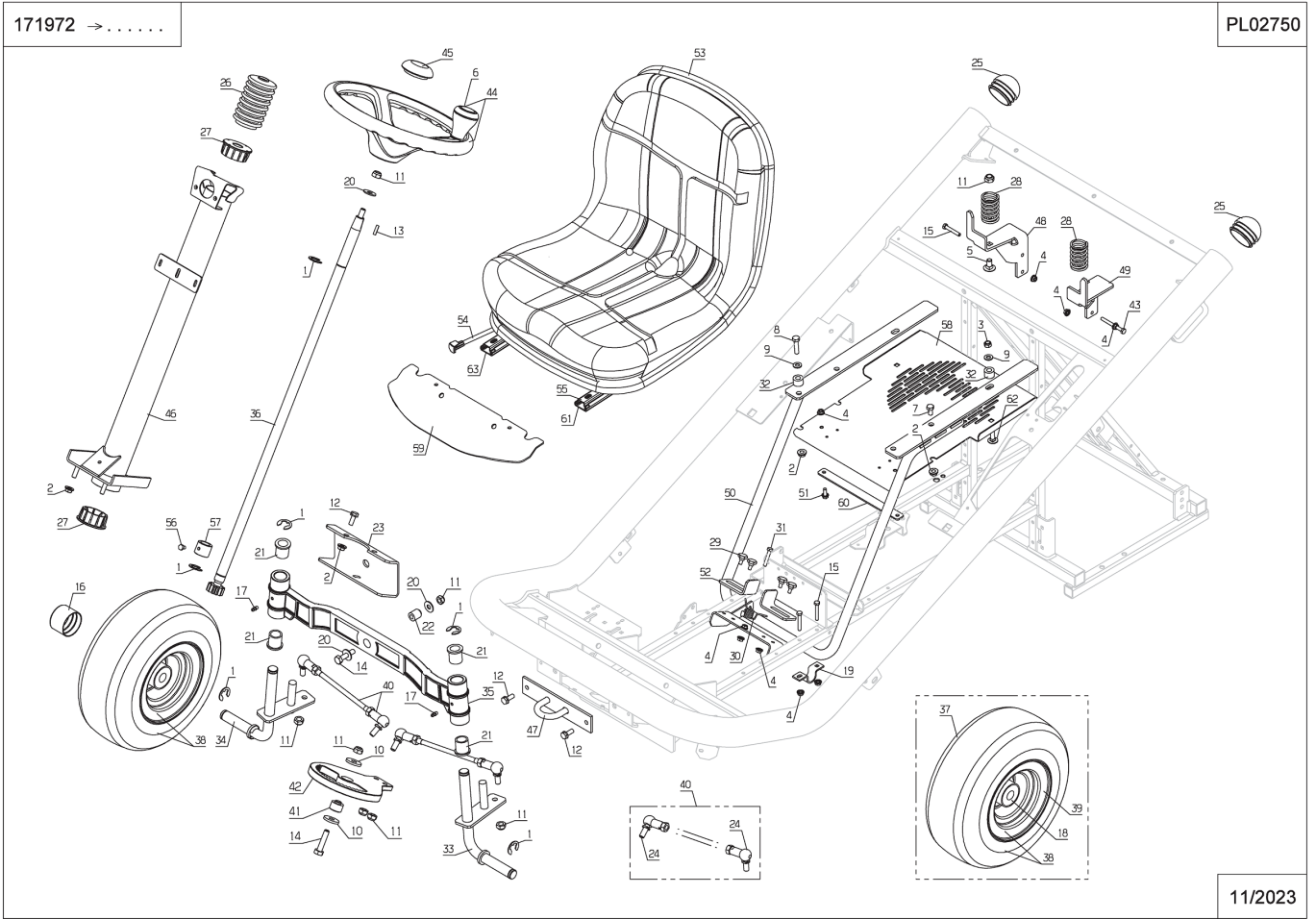
12/2023

Number	Part Number	Name	Quantity
1	1513	CIRCLIP 15	1,000
2	71205	SCREW M8	1,000
4	71201	NUT M6	1,000
5	50071	SCREW	1,000
6	29923	STEERING WHEEL GAIT	1,000
7	6169	SCREW HM8X16	1,000
8	7038	SCREW,DIN933 H M 8X	1,000
9	7335	WASHER	1,000
10	9009	WASHER	1,000
11	9017	NUT HM10	1,000
12	9056	BOLT 8X25	1,000
13	20606	KEY 5X5X20	1,000
14	71198	HEX.SCREW HM10X45	1,000
15	22456	SCREW HM 6X40	1,000
16	25176	WHEEL CAP	1,000
17	25301	RH STD "HYDRAULIC"	1,000
18	25616	BEARING	1,000
19	25711	STRAP	1,000
20	71238	WASHER A10,2	1,000
21	25305	SELF-LUBRIC.RING C2	1,000
22	28025	FRONT AXLE SPACER	1,000
23	28028	STEERING RING SUPP.	1,000
24	28047	STEER. KNUCKLE M10	1,000
25	28056	TUBE CAP 60	1,000
26	28110	BELLOWS	1,000
27	28111	CONSOLE GUIDE RING	1,000
28	28112	SEAT SPRING	1,000
29	28137	CATCH BOLT SP.SCREW	1,000
30	28206	SEAT BLOCAGE SPRING	1,000
31	71259	SCREW HM6X35	1,000
32	28296	SPACER	1,000
33	28718	LEFT STUB AXLE	1,000
34	28719	RIGHT STUB AXLE	1,000
35	28651	AXLE	1,000
36	28679	STEERING COLUMN	1,000
37	28733	FRONT TYRE	1,000
38	38789	WHEEL	1,000
39	38813	FRONT RIM 3,5X6 GR.	1,000
40	28536	STEERING ROD	1,000
41	28690	SPACER	1,000
42	28663	STEERING RING	1,000

Number	Part Number	Name	Quantity
43	71288	SCREW HM6X60 8.8	1,000
44	29900	STEERING WHEEL	1,000
45	29978	STEERING WHEEL CAP	1,000
46	36842	STEERING CONS.CPL.G	1,000
47	37289	HOOK	1,000
48	53011	CORNER SEAT RIGHT	1,000
49	53012	CORNER SEAT LEFT	1,000
50	37812	SEAT BRACKET	1,000
51	37997	SCREW HM6-16 8.8	1,000
52	38056	SEAT STOP	1,000
53	30691	SEAT	1,000
54	37079	SEAT GUIDE RIGHT	1,000
55	30714	SEAT GUIDE LEFT	1,000
56	71355	HEX.SCREW M6X10	1,000
57	39589	STEERING STOP	1,000
58	50013	SEAT PLATE MKM	1,000
59	50096	PROTECTION RUBBER	1,000
60	50097	RUBBER FIXING	1,000
62	71118	SCREW 8X35	1,000

171972 →

PL02750

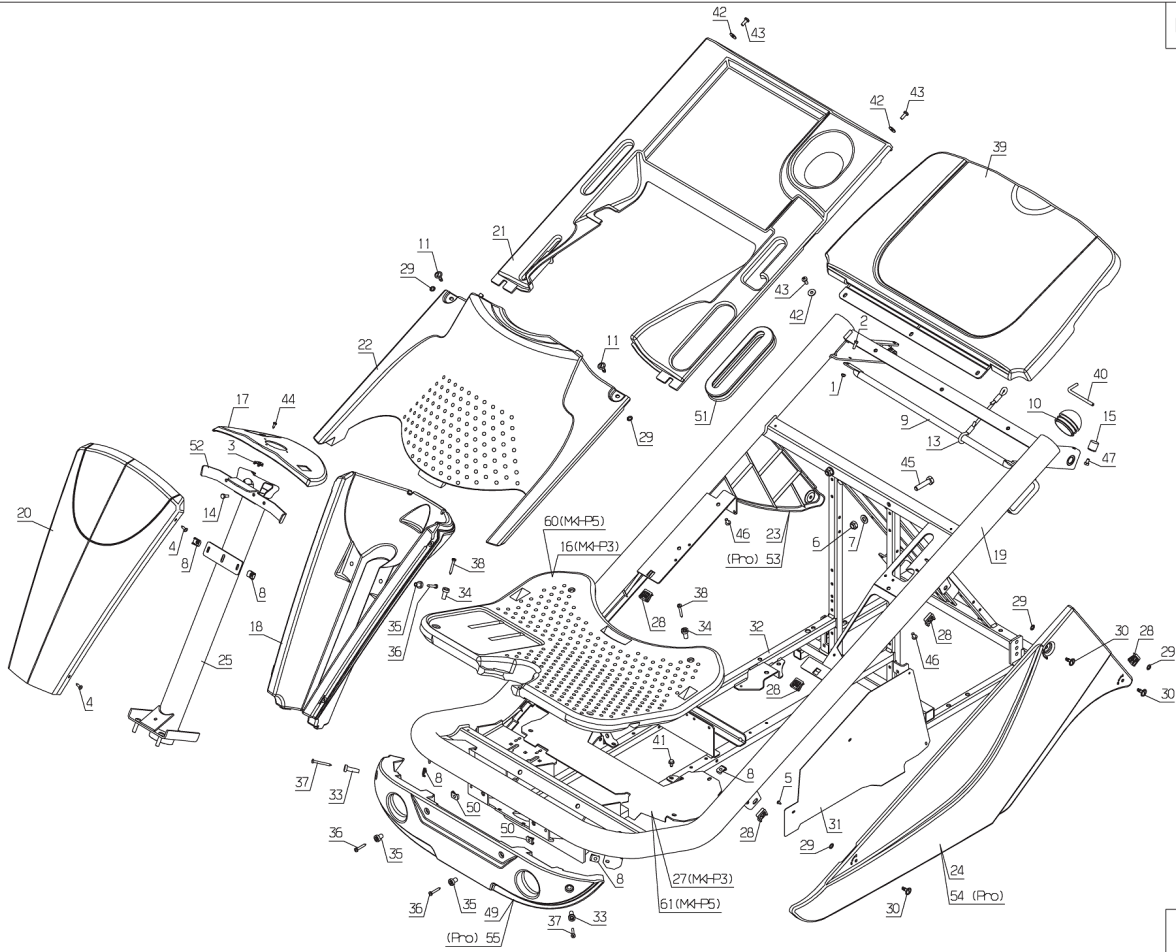


11/2023

Number	Part Number	Name	Quantity
1	1513	CIRCLIP 15	1,000
2	71205	SCREW M8	1,000
4	71201	NUT M6	1,000
5	50071	SCREW	1,000
6	29923	STEERING WHEEL GAIT	1,000
7	71413	SCREW HM 8-20	1,000
8	7038	SCREW,DIN933 H M 8X	1,000
9	7335	WASHER	1,000
10	9009	WASHER	1,000
11	9017	NUT HM10	1,000
12	9056	BOLT 8X25	1,000
13	20606	KEY 5X5X20	1,000
14	71198	HEX.SCREW HM10X45	1,000
15	22456	SCREW HM 6X40	1,000
16	25176	WHEEL CAP	1,000
17	25301	RH STD "HYDRAULIC"	1,000
18	25616	BEARING	1,000
19	25711	STRAP	1,000
20	71238	WASHER A10,2	1,000
21	25305	SELF-LUBRIC.RING C2	1,000
22	28025	FRONT AXLE SPACER	1,000
23	28028	STEERING RING SUPP.	1,000
24	28047	STEER. KNUCKLE M10	1,000
25	28056	TUBE CAP 60	1,000
26	28110	BELLOWS	1,000
27	28111	CONSOLE GUIDE RING	1,000
28	28112	SEAT SPRING	1,000
29	28137	CATCH BOLT SP.SCREW	1,000
30	28206	SEAT BLOCAGE SPRING	1,000
31	71259	SCREW HM6X35	1,000
32	28296	SPACER	1,000
33	28718	LEFT STUB AXLE	1,000
34	28719	RIGHT STUB AXLE	1,000
35	28651	AXLE	1,000
36	28679	STEERING COLUMN	1,000
37	28733	FRONT TYRE	1,000
38	38789	WHEEL	1,000
39	38813	FRONT RIM 3,5X6 GR.	1,000
40	28536	STEERING ROD	1,000
41	28690	SPACER	1,000
42	28663	STEERING RING	1,000

Number	Part Number	Name	Quantity
43	71288	SCREW HM6X60 8.8	1,000
44	29900	STEERING WHEEL	1,000
45	29978	STEERING WHEEL CAP	1,000
46	36842	STEERING CONS.CPL.G	1,000
47	37289	HOOK	1,000
48	53011	CORNER SEAT RIGHT	1,000
49	53012	CORNER SEAT LEFT	1,000
50	37812	SEAT BRACKET	1,000
51	37997	SCREW HM6-16 8.8	1,000
52	38056	SEAT STOP	1,000
53	53333	SEAT COBO GT75	1,000
54	53396	UPPER SEAT GUIDE	1,000
55	53397	UPPER SEAT GUIDE	1,000
56	71355	HEX.SCREW M6X10	1,000
57	39589	STEERING STOP	1,000
58	50013	SEAT PLATE MKM	1,000
59	50096	PROTECTION RUBBER	1,000
60	50097	RUBBER FIXING	1,000
61	53398	LOWER SEAT GUIDE	1,000
62	71118	SCREW 8X35	1,000
63	53399	LOWER SEAT GUIDE	1,000

PL02043

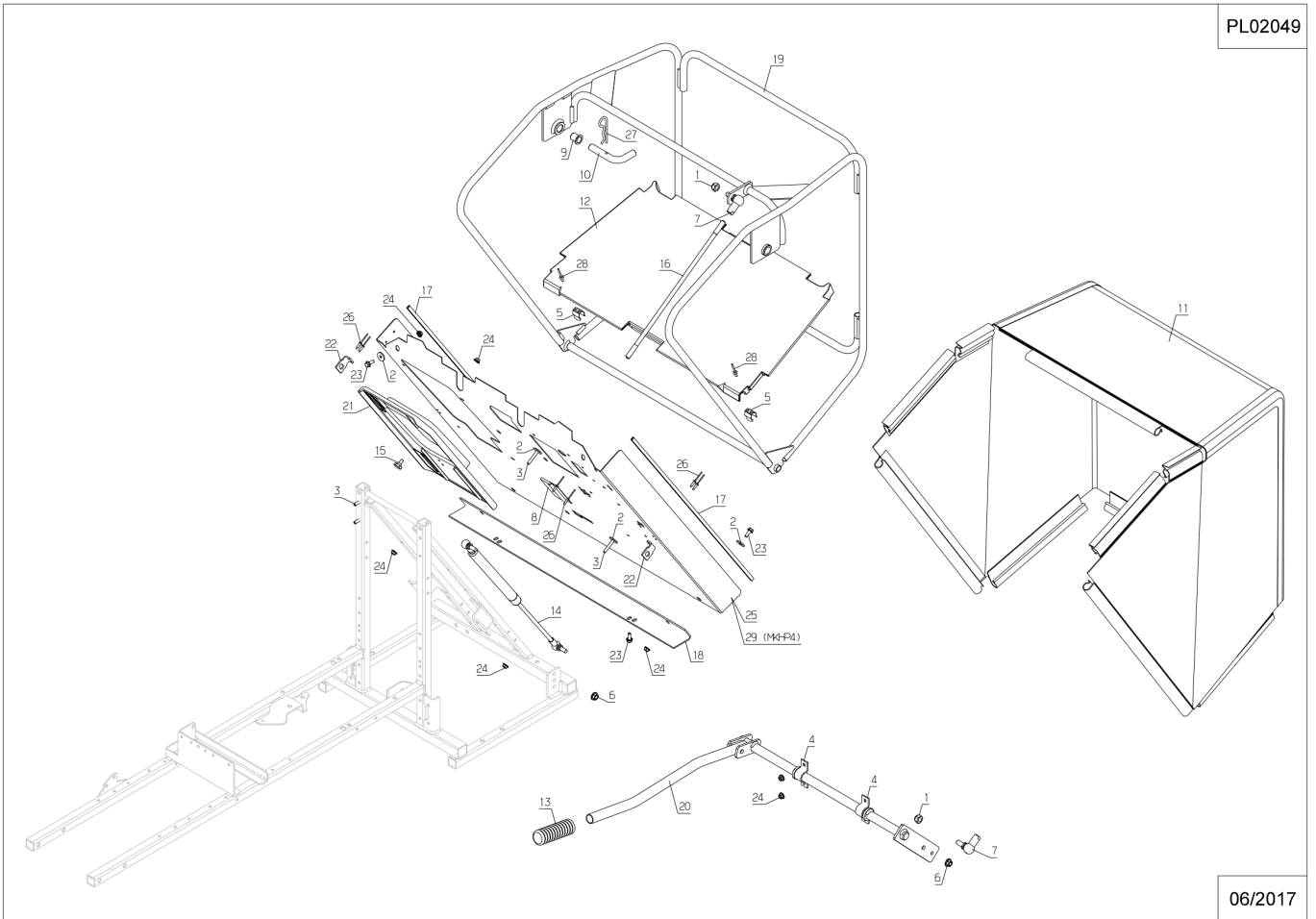


03/2020

Number	Part Number	Name	Quantity
1	37561	NUT	1,000
2	2009	BOLT M5X16	1,000
3	6178	CLIP NUT	1,000
4	71111	TAPPING SCREW,DIN 7	1,000
5	71048	BOLT EJ.PT KA40X10	1,000
6	9017	NUT HM10	1,000
7	21036	FLAT WASHER 10.5	1,000
8	21436	CLIPS NUT	1,000
9	28052	CROSSPIECE	1,000
10	28056	TUBE CAP 60	1,000
11	39230	LOCK 1/4 ROTATION	1,000
13	28239	COVER BAND	1,000
14	37997	SCREW HM6-16 8.8	1,000
15	29783	RUBBER STOP	1,000
16	36716	FLOOR	1,000
17	52503	DASHBOARD	1,000
18	36719	CONSOLE	1,000
19	36721	FRAME DIA.60 GREEN	1,000
20	36722	REAR CONSOLE WHITE	1,000
21	36723	REAR COVER WHITE	1,000
22	36724	FRONT COVER WHITE	1,000
23	36473	R.SIDE COVER BLACK	1,000
24	36474	L.SIDE COVER BLACK	1,000
25	36842	STEERING CONS.CPL.G	1,000
27	37339	BRACKET	1,000
28	37499	1/4 ROTATION LOCK	1,000
29	37500	1/4 ROTATION WASHER	1,000
30	37501	1/4 ROTATION SCREW	1,000
31	37536	MUFFLER PROTECTION	1,000
32	39517	FRAME	1,000
33	37796	BUSH LG 29.7	1,000
34	37797	BUSH LG 20	1,000
35	37798	BUSH LG 13	1,000
36	37836	SCREW ST4.8-32,C	1,000
37	37837	SCREW ST4.8-45,C	1,000
38	37901	SCREW ST4.8-38,C	1,000
39	38044	GRASSBOX COVER WHIT	1,000
40	38071	ROD	1,000
41	38408	SCREW HM6-16 8,8	1,000
42	71096	WASHER B6,4	1,000
45	71198	HEX.SCREW HM10X45	1,000

Number	Part Number	Name	Quantity
46	71277	SCREW 60X12	1,000
47	71355	HEX.SCREW M6X10	1,000
49	37328	STEERINGCOVER BLACK	1,000
50	71459	NUT	1,000
51	28242	COVER CUTTING HEIGH	1,000
52	38422	REINFORCING PLATE	1,000
55	36714	STEERINGCOVER BLACK	1,000
60	53251	FOOT	1,000
61	53294	BRACKET	1,000

PL02049

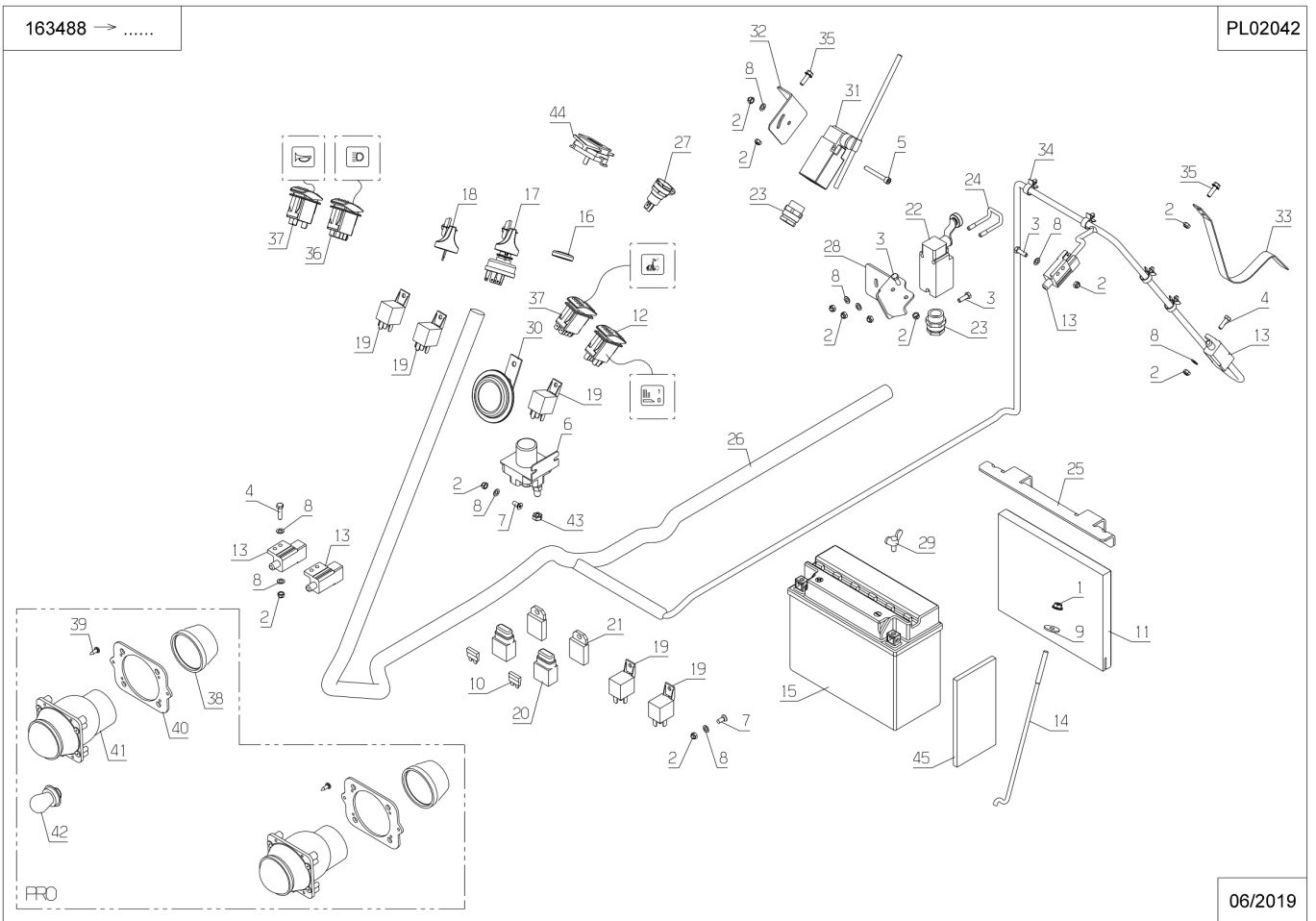


06/2017

Number	Part Number	Name	Quantity
1	9017	NUT HM10	1,000
2	22029	FLAT WASHER 6,5	1,000
3	22456	SCREW HM 6X40	1,000
4	25711	STRAP	1,000
5	25886	17/20 CUP	1,000
6	71205	SCREW M8	1,000
7	28047	STEER. KNUCKLE M10	1,000
8	28068	COLLECTOR BRUSH	1,000
9	28070	SLEEVE 15/17/20	1,000
10	28082	LINK AXLE	1,000
11	28087	BAG	1,000
12	28095	COLLECTOR BOTTOM	1,000
13	28118	CUT.HEIGHT LEVER HA	1,000
14	51458	GAS CYLINDER	1,000
15	28137	CATCH BOLT SP.SCREW	1,000
16	28168	RETURNING ROD	1,000
17	28254	PROTECT.COATING 690	1,000
18	28362	COLL.PLATE REINF.96	1,000
19	28408	COLLECTOR FRAME	1,000
20	28409	LEVER	1,000
21	28568	CHANNEL GUIDE	1,000
22	37621	FIXING COVERING	1,000
23	37997	SCREW HM6-16 8.8	1,000
24	71201	NUT M6	1,000
25	50790	Nouvelle pièce	1,000
26	71113	NAIL RIVET, DIA. 4X	1,000
27	71228	BETA PIN 4	1,000
28	71241	NAIL RIVET 4,8X10,5	1,000

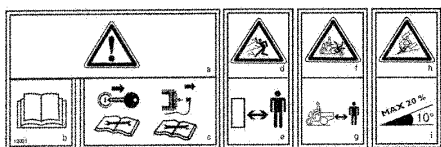
163488 →

PL02042

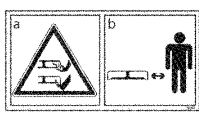
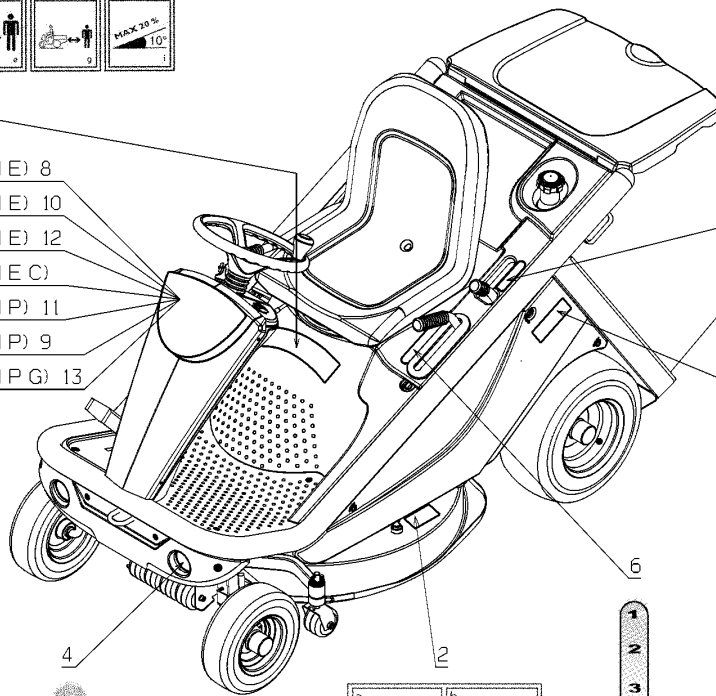


Number	Part Number	Name	Quantity
1	71201	NUT M6	1,000
2	37561	NUT	1,000
3	2009	BOLT M5X16	1,000
4	5071	BOLT HM 5X20	1,000
5	5399	BOLT M5X40	1,000
6	16604	RELAY STARTER KIT	1,000
7	20563	SCREW M5 X 12	1,000
8	20564	WASHER 5,5	1,000
9	22029	FLAT WASHER 6,5	1,000
10	25828	FUSE 25A 12V	1,000
11	28015	BATTERY HEAT PROTEC	1,000
12	52494	SWITCH	1,000
13	28159	SWITCH	1,000
14	28164	BATTERY CLAMP ROD	1,000
15	52101	BATTERY	1,000
16	28382	KEY CONTACT. EMBEL.	1,000
17	28384	KEY CONTACTOR	1,000
18	28388	SET OF 2 KEY	1,000
19	28392	WATERPROOF RELAY	1,000
20	28582	PLUG FUSE HOLDER	1,000
21	28594	BRACKET	1,000
22	29257	SAFETY SWITCH	1,000
23	29789	CONTACTOR GROMMET	1,000
24	35213	SWITCH FIXING	1,000
25	35675	BATTERY ANGLE BRACK	1,000
26	51760	WIRING	1,000
27	25822	FEMALE 2 WIR.CONNEC	1,000
28	50083	SEATSWIT.BRACKET	1,000
29	71236	WING SCREW M6X12	1,000
30	28209	ALARM	1,000
31	28210	BUZZER SWITCH	1,000
32	28211	BUZZER SWITCH SUPP.	1,000
33	28073	COLLECTOR SWITCH PL	1,000
34	28081	CLAMP 12,8MM	1,000
35	37996	SCREW HM5-16 8.8	1,000
36	52497	SWITCH ON/OFF LIGHT	1,000
37	52495	SWITCH ON/OFF/ON	1,000
38	28743	REAR CAP	1,000
39	71111	TAPPING SCREW,DIN 7	1,000
40	37198	LIGHTS BRACKET	1,000
41	28689	-> 54396 + 100500	1,000

Number	Part Number	Name	Quantity
42	28744	BULB	1,000
43	71001	NUT 1/4"	1,000
44	51640	HOUR COUNTER	1,000
45	52788	ISOLATOR BATTERY	1,000

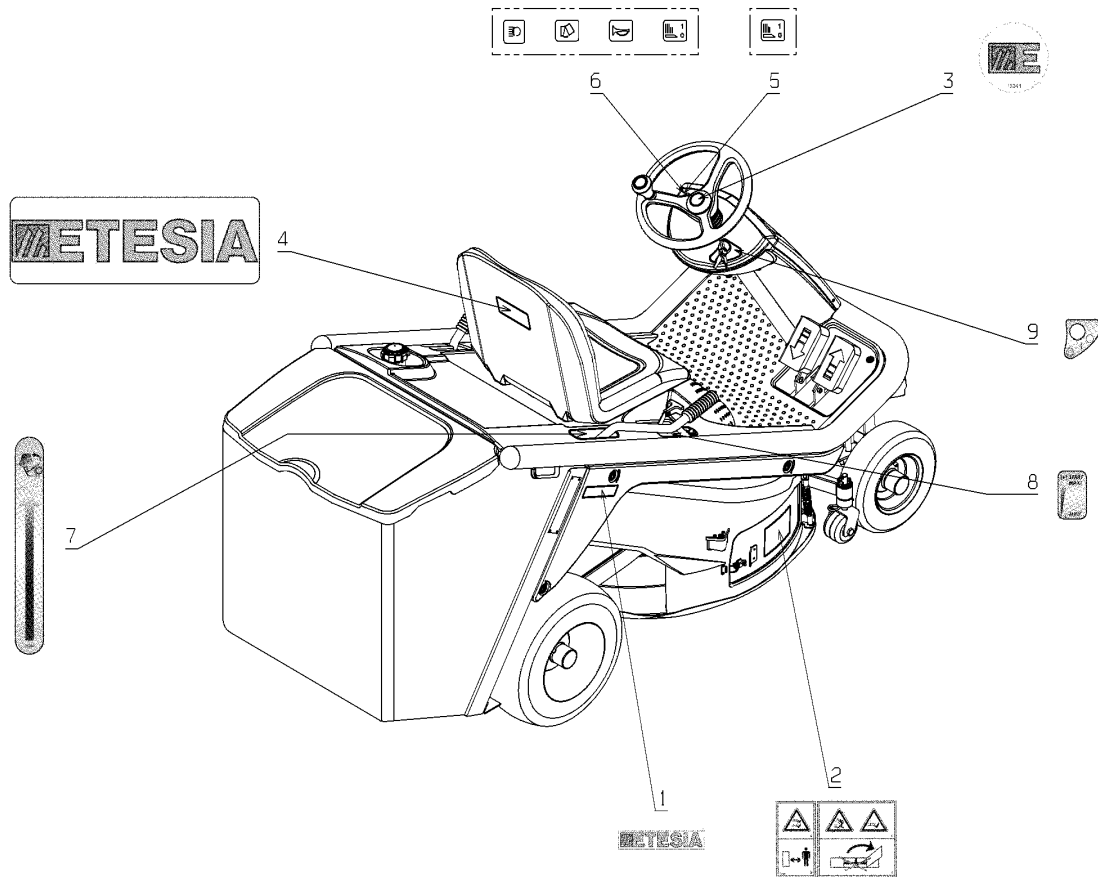


- 1
- (MBHE) 8
- (MHHE) 10
- (MKHE) 12
- (MKHEC)
- (MKHP) 11
- (MHHP) 9
- (MKHPG) 13



Number	Part Number	Name	Quantity
1	13021	STICKER	1,000
2	13062	STICKER CUT-DECK	1,000
3	13086	STICKER ETESIA	1,000
4	35866	STICKER - BLINKER	1,000
5	52810	KIT STICKERS	1,000
7	37828	STICKER MKHEC	1,000
8	54520	MBHE2 STICKER	1,000
9	38352	STICKER CONS.MHHP2	1,000
10	38253	-> 54521	1,000
11	54522	MKHP3 STICKER	1,000
12	54529	MKHE3 STICKER	1,000
13	36860	CONS.STICKER MKHPG2	1,000

PL01554

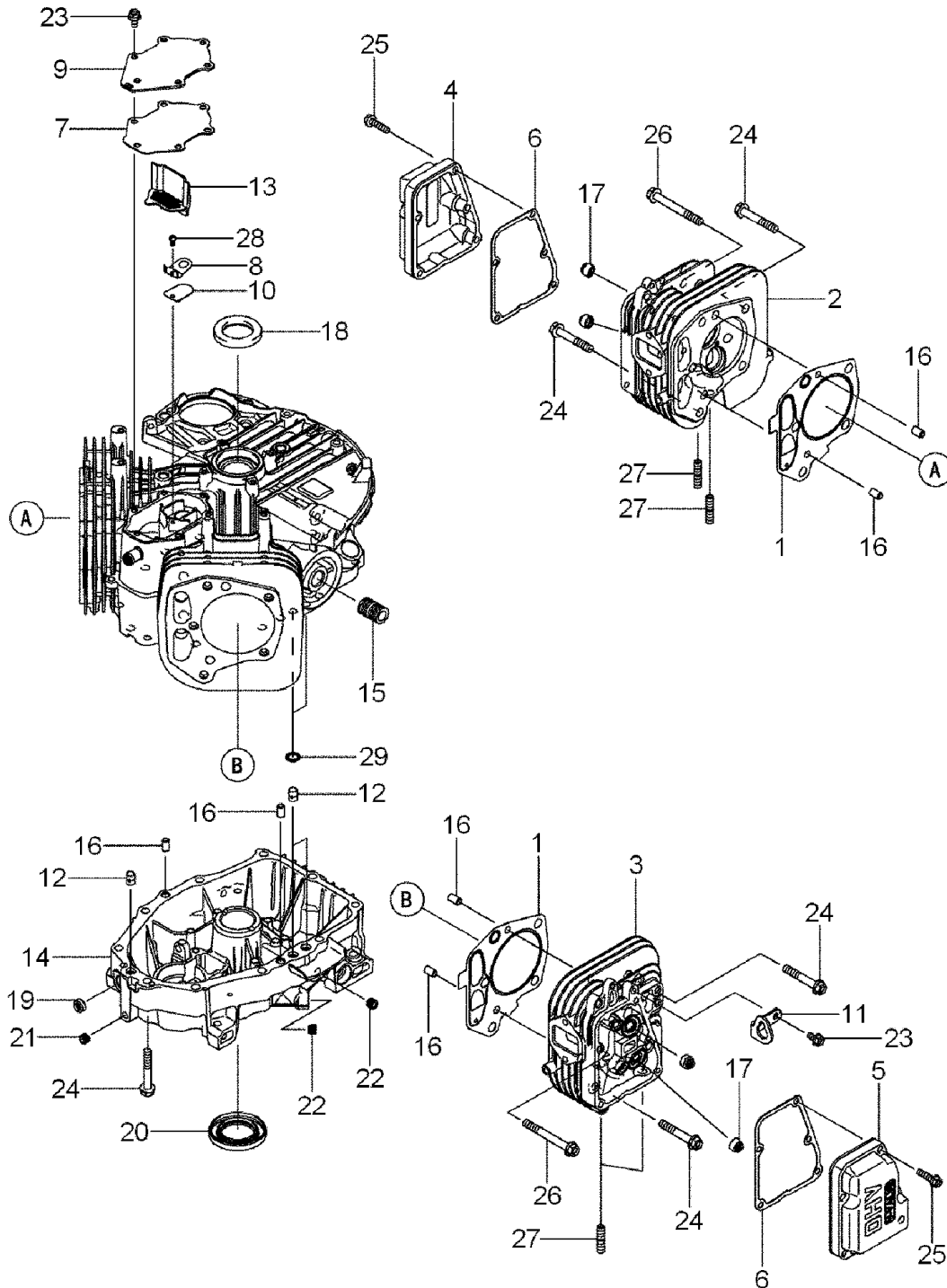


04/2010

Number	Part Number	Name	Quantity
1	13086	STICKER ETESIA	1,000
2	13089	ETIQ. TRAPPE FR.	1,000
3	25330	BADGE - ETESIA	1,000
4	28308	ETESIA LOGO	1,000
5	37831	STICKER - BLADES	1,000
6	51432	STICKER	1,000
7	52810	KIT STICKERS	1,000
8	38053	STICKER	1,000
9	38146	STICKER	1,000

KAWASAKI FS481V / FS541V

PL01982

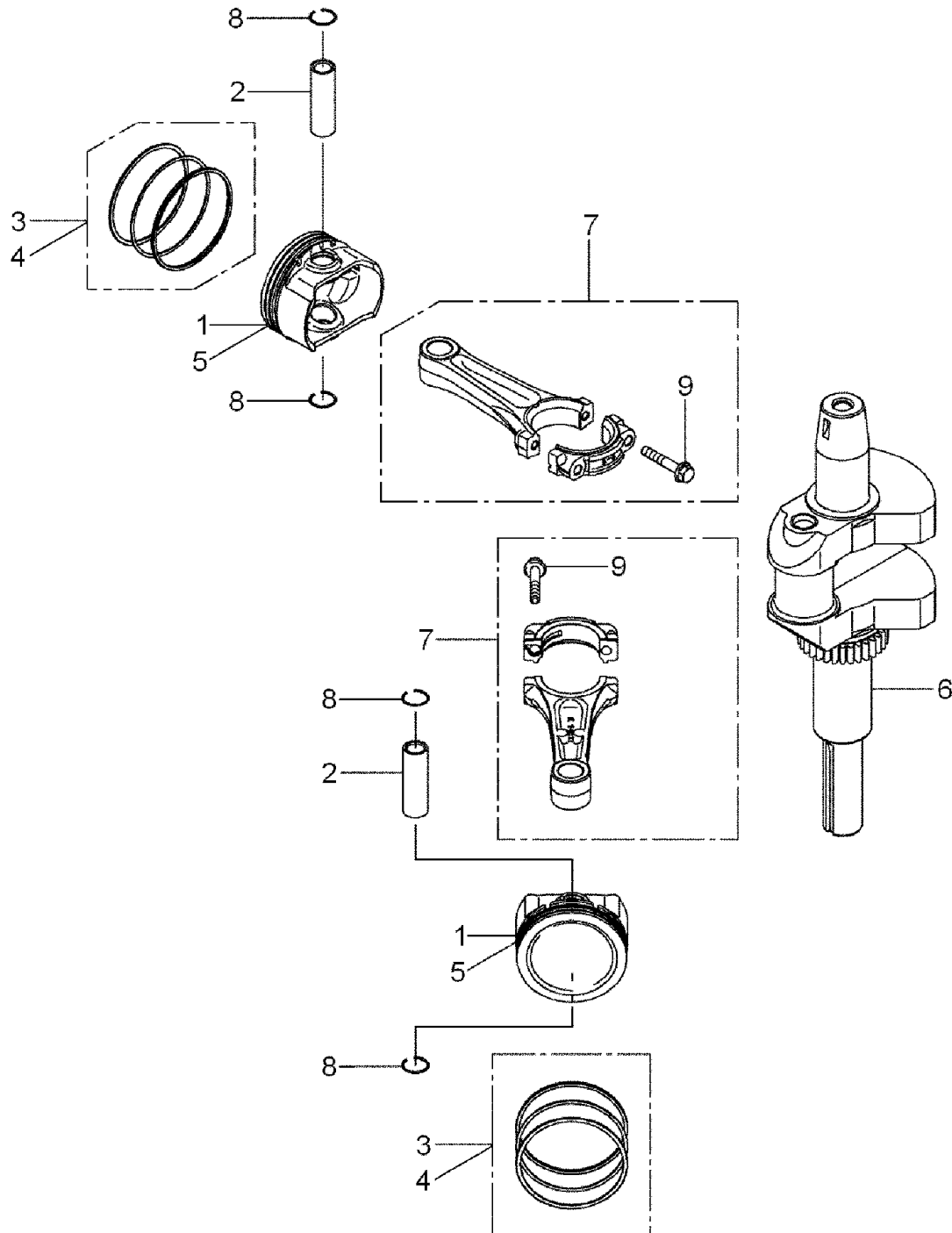


01/2015

Number	Part Number	Name	Quantity
1	15252	CYLIND.HEAD GASKET	1,000
2	15253	CYLINDER HEAD 1	1,000
3	15254	CYLINDER HEAD 2	1,000
4	15256	CYLIND.HEAD COVER 1	1,000
5	15257	CYLIND.HEAD COVER 2	1,000
6	15262	CYL.HEAD COV.GASKET	1,000
7	15264	GASKET	1,000
8	15285	PLATE	1,000
9	15289	COVER	1,000
10	15294	BREATHER	1,000
11	15336	HOOK	1,000
12	15361	CHANNEL	1,000
13	15362	AIR CHANNEL	1,000
14	15379	LOWER CRANKCASE	1,000
15	15398	GASKET	1,000
16	15623	CENTRING STUD	1,000
17	18228	OIL SEAL 6X11X10,2	1,000
18	18230	OIL SEAL 35X48X8	1,000
19	15429	GASKET 8X14X5	1,000
20	15430	GASKET 38X62X8	1,000
21	15470	PLUG	1,000
22	15471	PLUG	1,000
23	18332	VIS	1,000
24	18355	VIS	1,000
25	15277	SCREW 6X25	1,000
26	15279	SCREW 8X70	1,000
27	18180	STUD	1,000
28	18188	SCREW	1,000
29	15414	O-RING	1,000

KAWASAKI FS481V / FS541V

PL01983

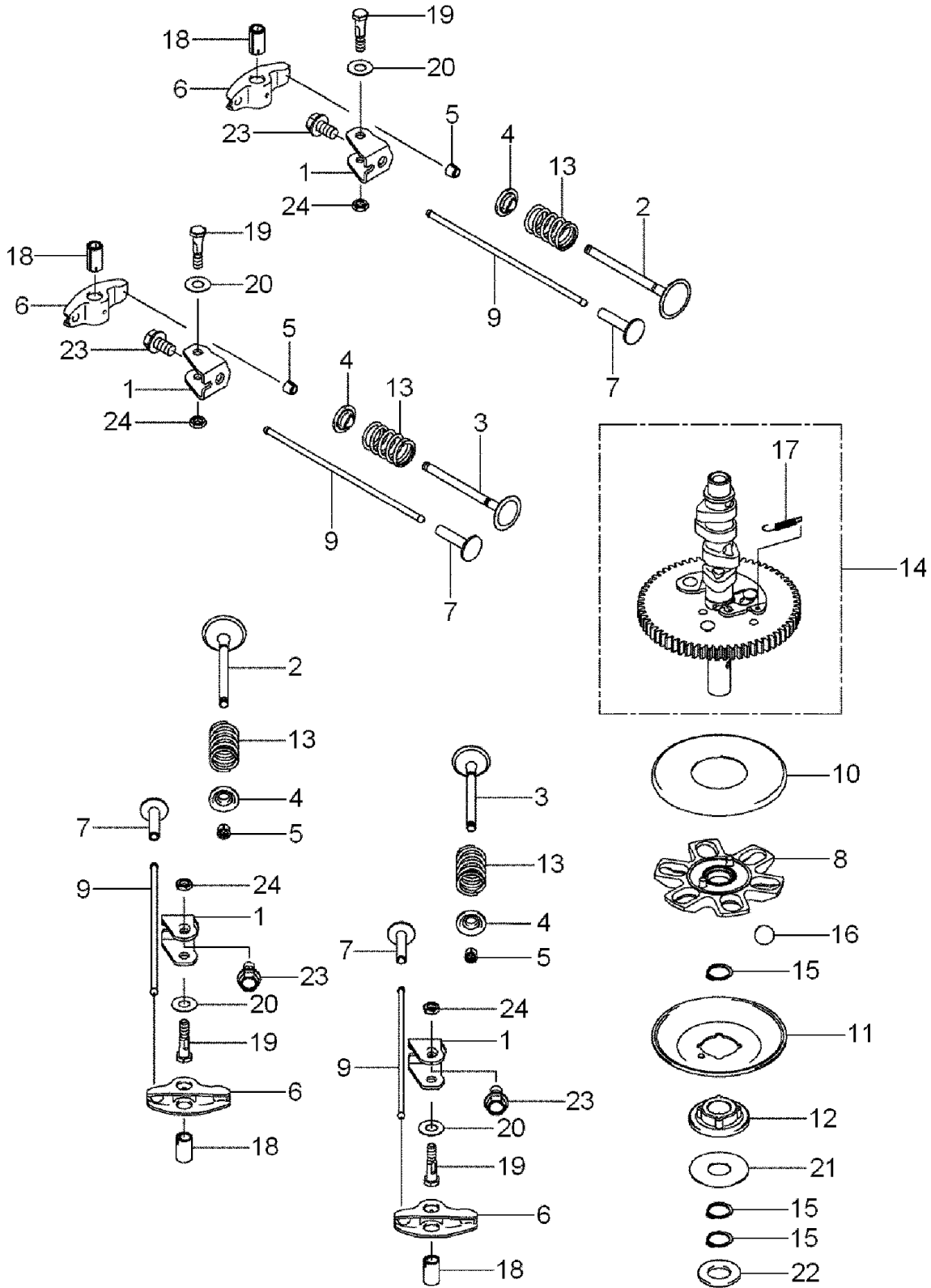


01/2015

Number	Part Number	Name	Quantity
1	15270	PISTON	1,000
2	18140	PISTON PIN	1,000
3	15271	RING SET	1,000
4	15272	RING SET 0,5	1,000
5	15273	PISTON 0,5	1,000
6	15274	CRANKSHAFT	1,000
7	15283	CONNECT.ROD ASSY	1,000
8	18225	RING SNAP	1,000
9	18331	VIS	1,000

KAWASAKI FS481V / FS541V

PL01984

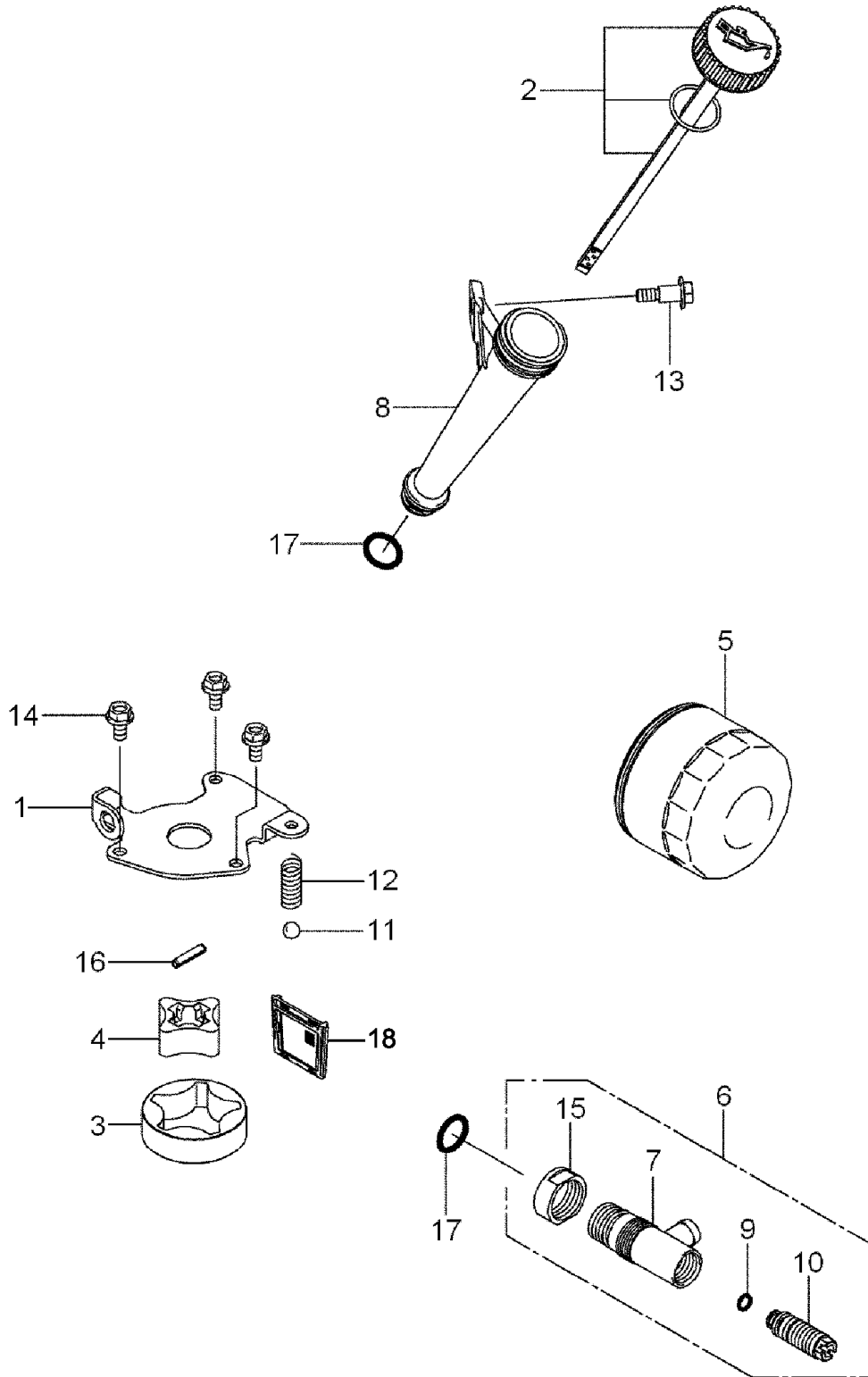


01/2015

Number	Part Number	Name	Quantity
1	15258	BRACKET	1,000
2	15267	INTAKE VALVE	1,000
3	15268	EXHAUST VALVE	1,000
4	18135	WASHER	1,000
5	18136	PELLET	1,000
6	15269	ROCKER ARM	1,000
7	18138	LIFTER ARM	1,000
8	15275	GUIDE	1,000
9	15282	PUSH ROD	1,000
10	18159	PLATE	1,000
11	18162	PLATE GOVERNOR	1,000
12	15365	BUSH	1,000
13	15381	SPRING	1,000
14	15392	CAMSHAFT	1,000
15	18224	SNAP RING	1,000
16	18239	STEEL BALL	1,000
17	18241	SPRING	1,000
18	15500	BUSH	1,000
19	15501	SCREW 6X29,5	1,000
20	15516	WASHER 8,1X18X0,5	1,000
21	15517	WASHER 16X42X0,91	1,000
22	15520	WASHER	1,000
23	15278	SCREW 8X14	1,000
24	15354	NUT 6MM	1,000

KAWASAKI FS481V / FS541V

PL01985

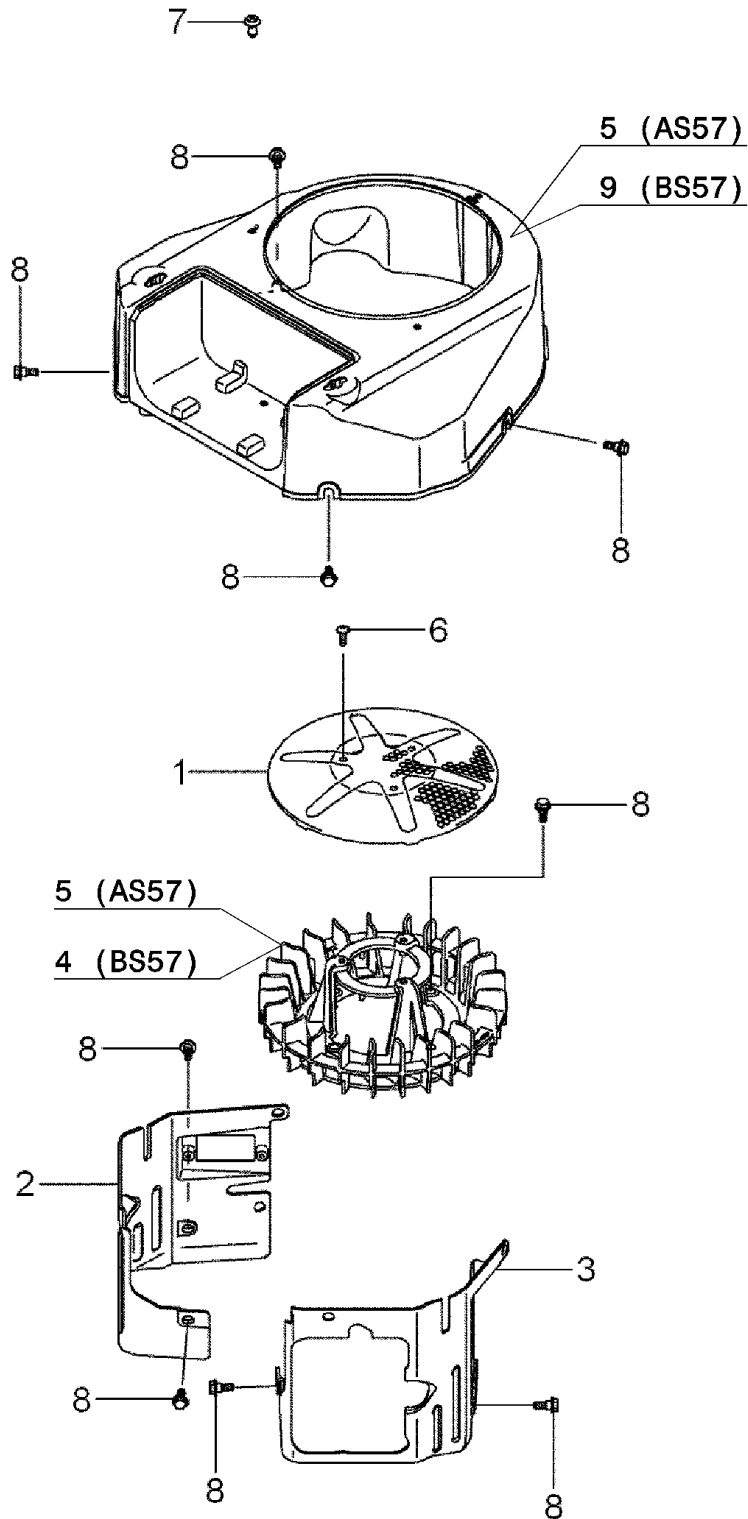


01/2015

Number	Part Number	Name	Quantity
1	15286	PUMP COVER	1,000
2	15288	OIL GAUCHE	1,000
3	15295	PUMP BODY	1,000
4	15296	PUMP	1,000
5	18363	OIL FILTER	1,000
6	36026	COCK	1,000
7	18317	CORPS ROBINET	1,000
8	15413	FILLING TUBE	1,000
9	18327	JOINT	1,000
10	18328	BOUCHON DE VIDANGE	1,000
11	18240	STEEL BALL	1,000
12	18242	SPRING	1,000
13	18250	SCREW	1,000
14	18332	VIS	1,000
15	18340	ECROU	1,000
16	15394	PIN 4X20	1,000
17	15686	O-RING	1,000
18	15532	FILTER	1,000

KAWASAKI
FS481V

PL01986

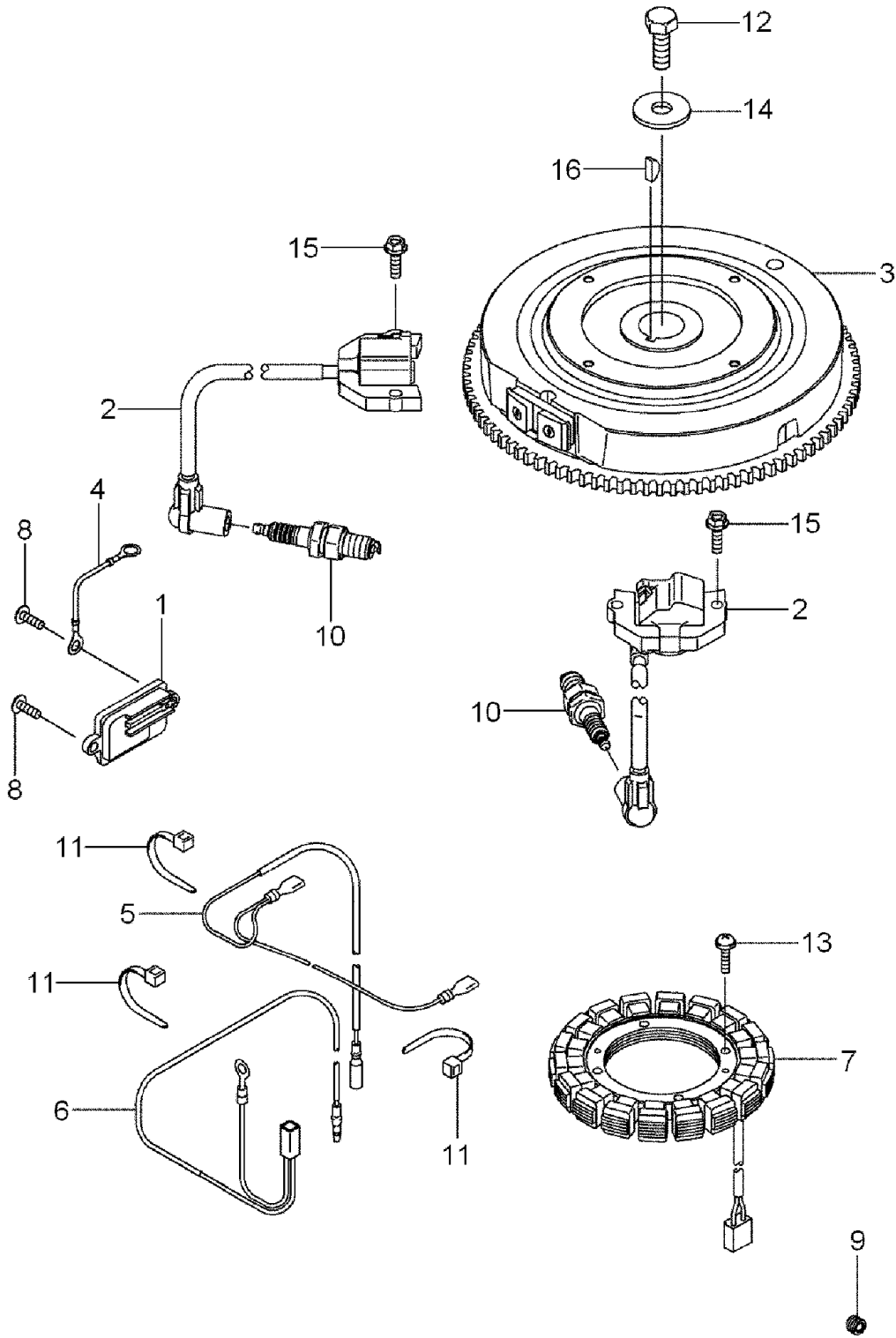


01/2015

Number	Part Number	Name	Quantity
1	15287	GRID	1,000
2	15385	COVERING	1,000
3	15389	COVERING	1,000
4	15396	FAN	1,000
5	15522	ENGINE COVER KIT	1,000
6	15421	SCREW	1,000
7	15428	RIVET	1,000
8	18249	SCREW	1,000
9	15523	ENGINE COVER	1,000

KAWASAKI FS481V / FS541V

PL01987

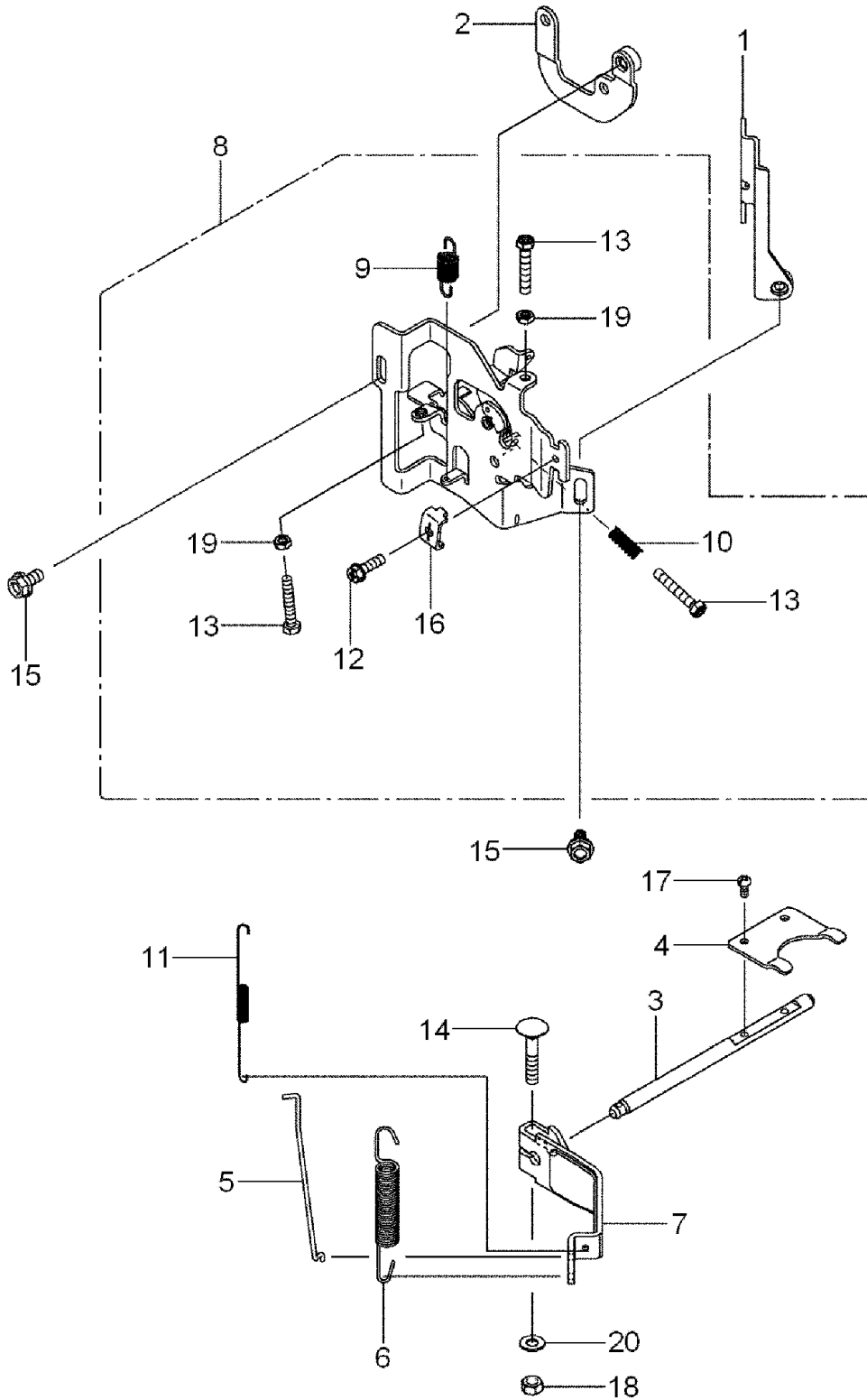


01/2015

Number	Part Number	Name	Quantity
1	15299	REGULATOR	1,000
2	15329	COIL	1,000
3	15330	FLYWHEEL	1,000
4	15333	CABLE	1,000
5	15334	WIRING	1,000
6	15335	WIRING	1,000
7	15395	ALTERNATOR	1,000
8	15421	SCREW	1,000
9	15471	PLUG	1,000
10	18364	SPARK PLUG FS481V	1,000
11	18329	COLLIER	1,000
12	15502	SCREW 12X30	1,000
13	18333	VIS	1,000
14	18260	WASHER	1,000
15	15276	SCREW 6X20	1,000
16	18209	KEY	1,000

KAWASAKI
FS481V

PL01988

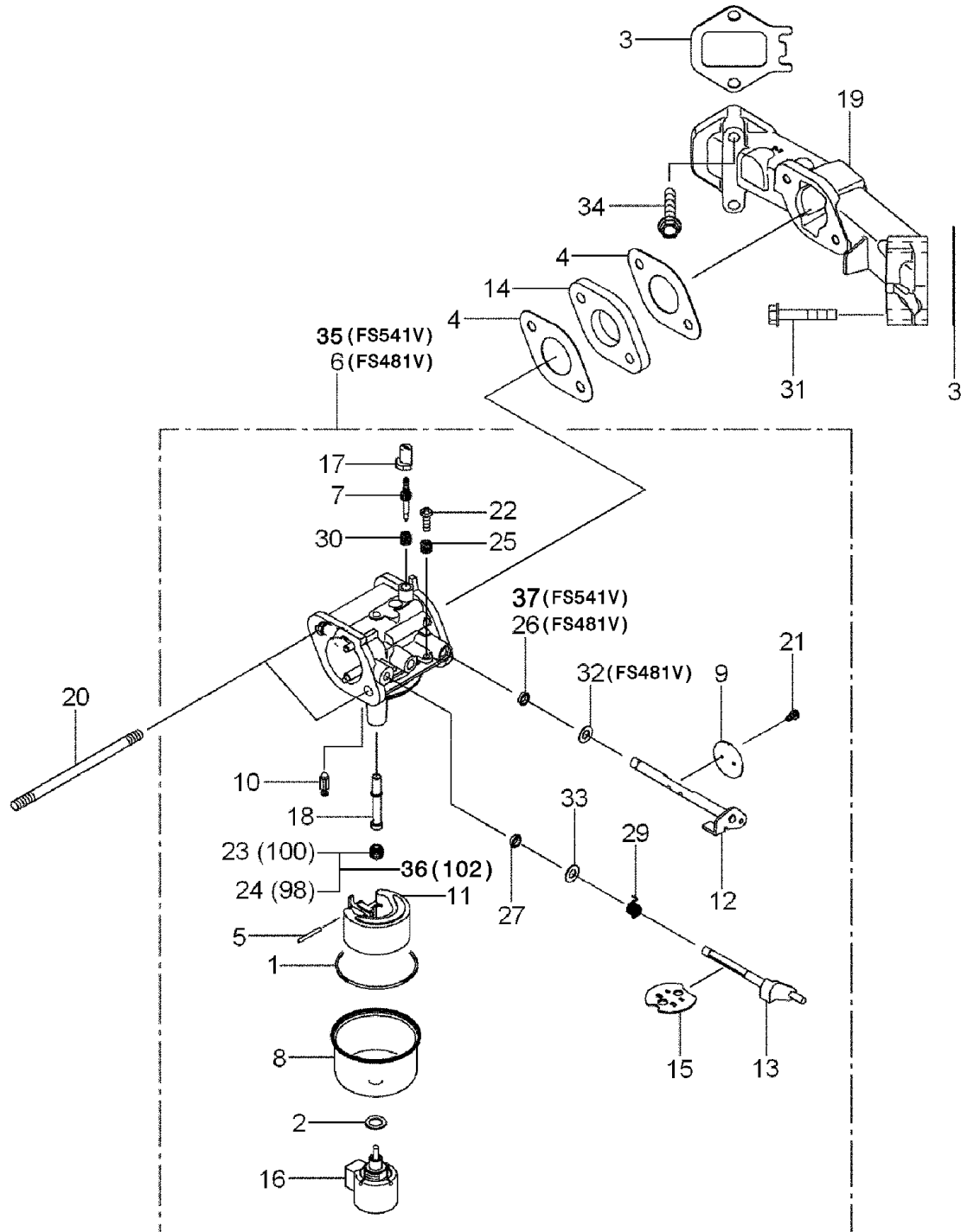


10/2012

Number	Part Number	Name	Quantity
1	15259	BRACKET	1,000
2	15260	BRACKET	1,000
3	15281	SHAFT	1,000
4	15284	SHEET PLATE	1,000
5	15297	ROD	1,000
6	15363	SPRING	1,000
7	15390	LEVER	1,000
8	15391	CONTROL PANEL	1,000
9	15494	SPRING	1,000
10	18245	SPRING	1,000
11	15498	SPRING	1,000
12	15753	SCREW	1,000
13	15499	SCREW 5X30	1,000
14	18248	SCREW	1,000
15	18332	VIS	1,000
16	18254	GUARD	1,000
17	18188	SCREW	1,000
18	18193	NUT	1,000
19	15351	NUT 5MM	1,000
20	15340	FLAT WASHER	1,000

KAWASAKI FS481V / FS541V

PL01989

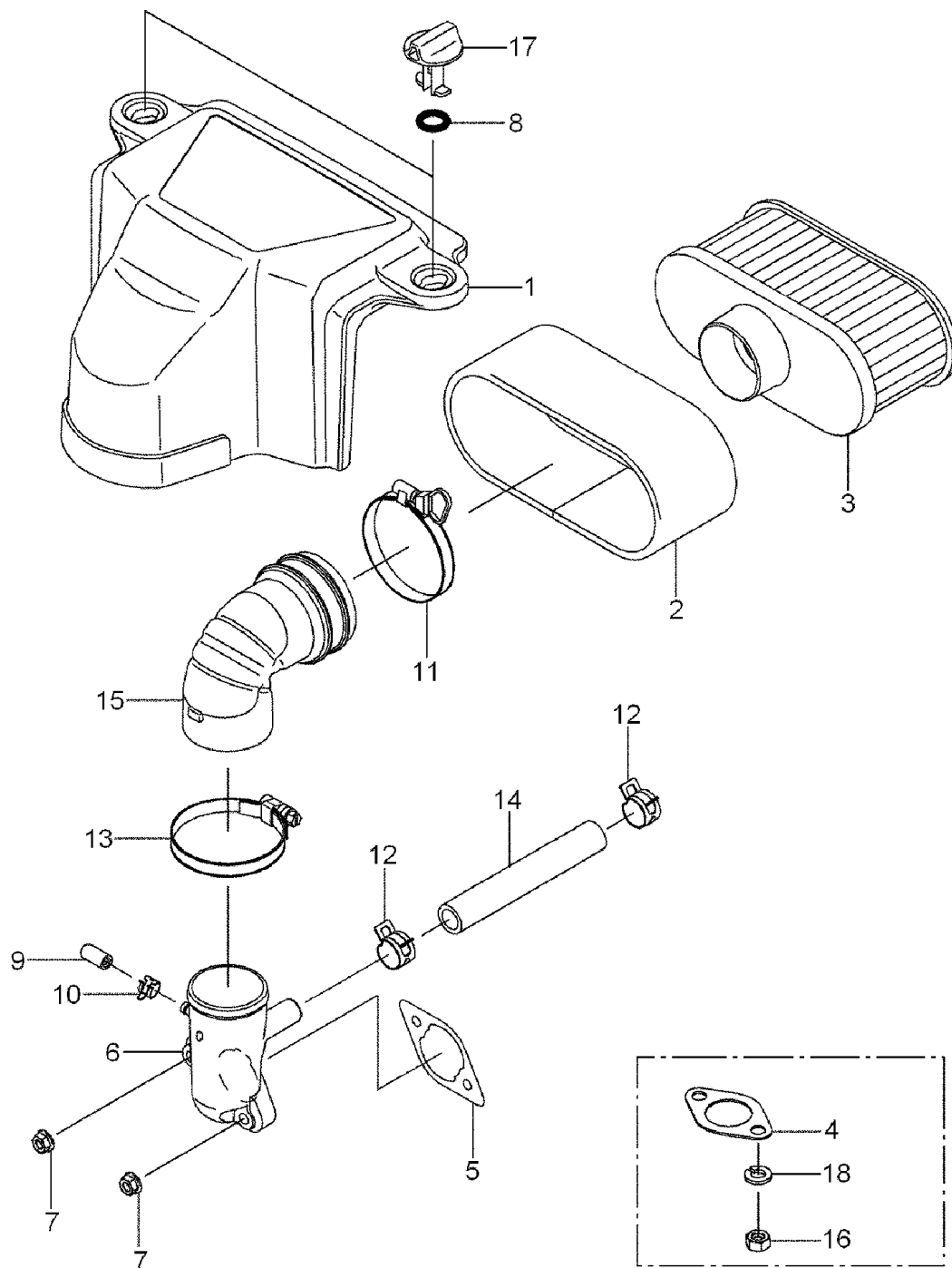


01/2015

Number	Part Number	Name	Quantity
1	18130	GASKET	1,000
2	18131	GASKET	1,000
3	15263	GASKET	1,000
4	15266	GASKET	1,000
5	18154	FLOAT AXLE	1,000
6	15290	CARBURETOR	1,000
7	15291	ADJUSTING SCREW	1,000
8	18169	FLOAT CHAMBER	1,000
9	18170	GASKLAPPE	1,000
10	18171	VALVE FLOAT	1,000
11	18172	FLOAT	1,000
12	18174	ACC.THROTTLE SHAFT	1,000
13	15292	THROTTLE SHAFT	1,000
14	18288	INSULATEUR	1,000
15	15298	VALVE CHOKE	1,000
16	18295	SOLENOIDE	1,000
17	18195	RING	1,000
18	15393	CHOKE TUBE	1,000
19	15399	INTAKE MANIFOLD	1,000
20	15420	ROD 6X98	1,000
21	18219	SCREW	1,000
22	18220	SCREW	1,000
23	18350	GICLEUR 100	1,000
24	18351	GICLEUR 98	1,000
25	18006	SPRING	1,000
26	15490	GASKET	1,000
27	15493	GASKET	1,000
29	15497	SPRING	1,000
30	18246	SPRING	1,000
31	15503	SCREW 6X37	1,000
32	15515	WASHER	1,000
33	18008	GASKET	1,000
34	18343	VIS	1,000
35	15524	CARBURATOR	1,000
36	15526	JET 102	1,000
37	18001	DICHTUNG	1,000

KAWASAKI FS481V / FS541V

PL01990

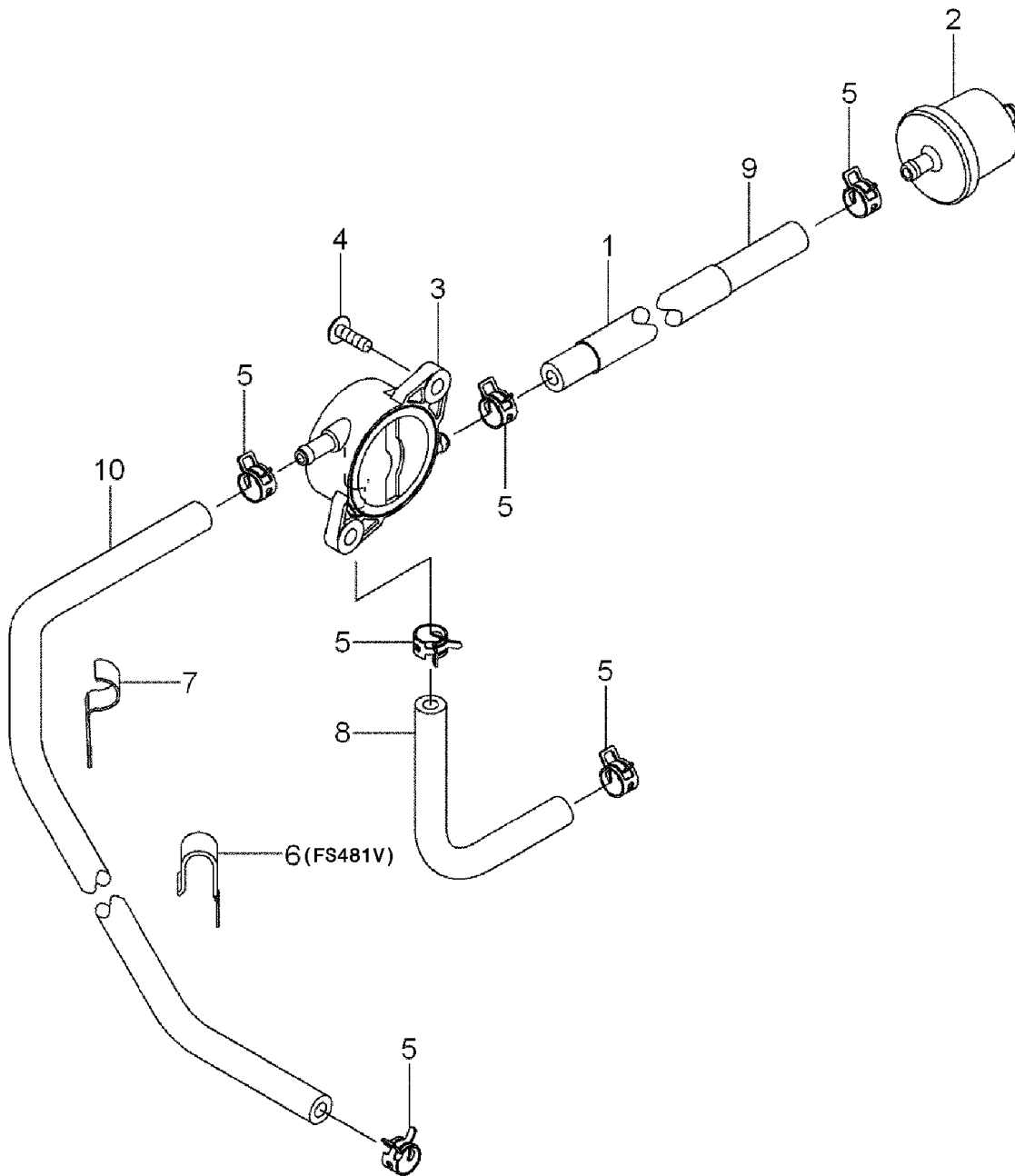


01/2015

Number	Part Number	Name	Quantity
1	15255	AIR FILTER COVER	1,000
2	18361	PREFILTER	1,000
3	18362	LUFTFILTER	1,000
4	15261	MUFFLER GASKET	1,000
5	15265	GASKET	1,000
6	15293	INTAKE PIPE	1,000
7	18222	NUT	1,000
8	15450	O-RING	1,000
9	15469	PLUG	1,000
10	15504	COLLAR	1,000
11	15507	COLLAR	1,000
12	15508	COLLAR	1,000
13	15509	COLLAR	1,000
14	15510	HOSE	1,000
15	15512	INTAKE PIPE	1,000
16	18342	ECROU	1,000
17	15521	FILTER COVER SCREW	1,000
18	15848	SPRING WASHER	1,000

KAWASAKI FS481V / FS541V

PL01991

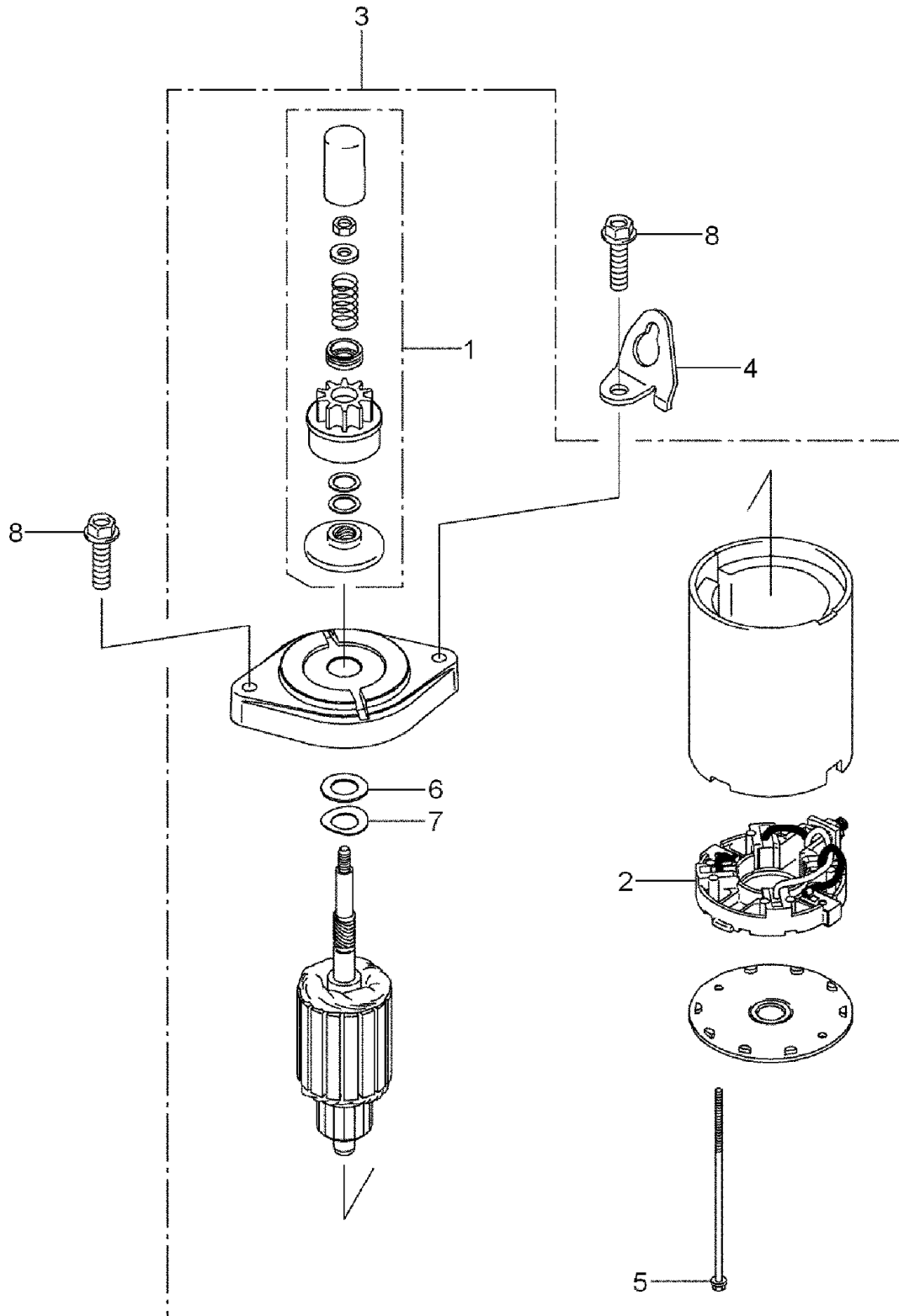


01/2015

Number	Part Number	Name	Quantity
1	15364	BUSH	1,000
2	25266	FILTER FUEL	1,000
3	15380	FUEL PUMP	1,000
4	15421	SCREW	1,000
5	18253	CLAMP	1,000
6	15505	COLLAR	1,000
7	15506	COLLAR	1,000
8	15511	HOSE 150MM	1,000
9	15513	HOSE 185MM	1,000
10	15514	HOSE 375MM	1,000

KAWASAKI
FS481V

PL01992



10/2012

Number	Part Number	Name	Quantity
1	15280	GEAR ASSY	1,000
2	18181	CARBON BRUSH	1,000
3	15313	STARTER	1,000
4	15348	HOOK	1,000
5	18360	STARTER SCREW	1,000
6	15518	WASHER	1,000
7	15519	WASHER	1,000
8	15691	SCREW	1,000